



TABLE OF CONTENT

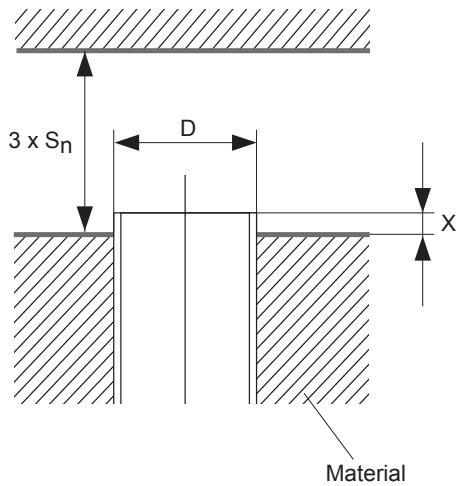
Designation code	
Installation information	2
How to read sensor designations	3
Circuit diagrams	
Connection according to EN 60947-5-2	4
Sensors	
Cylinder G6,5	5
Cylinder M8	7
Square Q8	9
Cylinder M12	10
Square Q12	12
Cylinder M18	13
Cylinder M30	15
Product overview	
All sensors at a glance	17



INDUCTIVE SENSORS XXL

MOUNTING

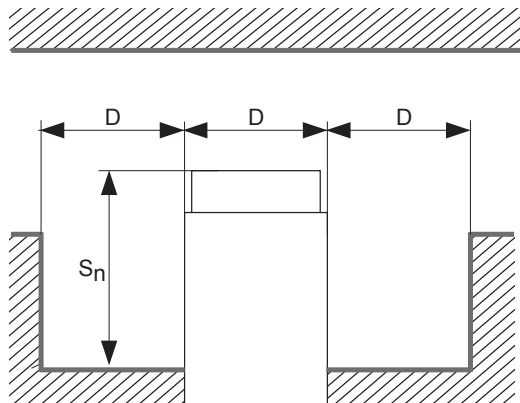
Quasi-flush mounting



The sensors in this catalogue must not be mounted flush into conductive materials, but have to protrude by X. Flush mounting in non-conductive materials is allowed.

Steel	$X = 0,2D$
Other metals	$X = 0,1D$
Other material	$X = 0$

Non-flush mounting



S_n = Switching distance
 D = Diameter of the sensors



INDUCTIVE SENSORS XXL

DESIGNATION CODE

Example: **K J 10 - M 30 M B 45 - D P S - V1 - X0000**

┆	┆	┆	┆	┆	┆	┆	┆	┆	┆	┆	┆	┆
1	2	3	4	5	6	7	8	9	10	11	12	

1 = Working principle

A	Acoustic		
B	Acceleration sensor		
C	Capacitive		
D	Strain gauge sensor		
H	Hall-effect		
J	Inductive	JR	Inductive ring
		JF	Inductive surface
		JG	Inductive slot
		JD	Metalface
M	Magnetoresistive		
N	Inclination sensor		
R	Reed-contact		
W	Angle sensor		

2 = Switching distance / range

3 = Design

D	Ring housing
G	Cylindrical housing without thread
M	Cylindrical housing with metrical thread
Q	Square housing

4 = Housing diameter / edge length

5 = Housing material

A	Aluminium
E	Stainless steel
K	Plastic
M	Brass, nickel plated
T	PTFE

6 = Installation

B	Shielded
N	Non shielded

7 = Tube length

8 = Operating voltage

AZ	AC alternating current voltage
D	DC direct current voltage
VZ	AC/DC all voltages

9 = Type of output signal

AN	Analog	ANI	Current output
		ANU	Voltage output
CAN	CAN-bus interface		
N	NPN		
NA	Namur		
P	PNP		
Z	Two wire		

10 = Function

A	Changeover
I	Impulse output
Ö	N.C.
S	N.O.
U	Switchable

11 = Connection

V1	M8 screw-/snap-in
V2	M12 metal
V2/1	M12 plastic
V3	M5 metal
V4	Amphenol Tuchel
V6	Brad Harrison
V7	Valve connector type A
V8	M8 snap-in only
V9	Torson
V10	Valve connector type C
V11	AC connector 1/2" UNF
V12	M18 plastic
VE	Euchner connector
RS232	Data interface
PG	Thread joint PG
Mxx	Thread joint metrical

others as requested

12 = Additional marks

AM	Sensing face in centre
FE	Reduction 1 to steel / iron
HT	High temperature
NF	Reduction 1 to nonferrous metal
SF	Weld field immune
T	Enlarged temperature range
W	Angled sensing face / angled cable exit
X	Customized design with detailed description



INDUCTIVE SENSORS XXL

CIRCUIT DIAGRAMS

Circuit diagram for	Cable / clamp connection	Connector V1 ... V9
DPS DC PNP N.O.		
DPÖ DC PNP N.C.		
DPA DC PNP changeover		
DPU DC NO/NC switchable		
DNS DC NPN N.O.		
DNÖ DC NPN N.C.		
DNA DC NPN changeover		
DNU DC NO/NC switchable		
NA Namur EN 60947-5-6		
DZS DC two-wire N.O.		
DZÖ DC two-wire N.C.		
AZS/VZS AC/DC two-wire N.O.		
AZÖ/VZÖ AC/DC two-wire N.C.		
Analog		



INDUCTIVE SENSORS XXL

CYLINDER G6,5

General data

Operating voltage U_b	10V ... 30V DC
Ripple voltage of U_b	$\leq 10\%$
Voltage drop U_d	$\leq 1V$
Max. load current	200mA
Off-state current I_o	$\leq 10mA$
Residual current	$\leq 10\mu A$
Max. switching frequency f	1000Hz
Hysteresis H	$\leq 15\%$ (Sr)
Repeatability R	$\leq 2\%$ (Sr)
Operating temperature T_a	-25°C ... +70°C
Temperature drift	$\leq 10\%$ (Sr)
Protection class	IP67
EMV-standard	according to IEC 60947-5-2
Switching state	LED
Housing material	brass, nickel-plated
Front cap	POM



The drawings of these sensors are shown on the following page.

Selection chart

Article number	Designation switching distance 3mm	Mounting	Output signal	Connection	Drawing (next page)
08313650317	SJ3-G6,5MB45-DPS	shielded	PNP	2m cable PVC 3 x 0,15mm ²	A
08313650327	SJ3-G6,5MB45-DPÖ	shielded	PNP	2m cable PVC 3 x 0,15mm ²	A
08313650337	SJ3-G6,5MB45-DNS	shielded	NPN	2m cable PVC 3 x 0,15mm ²	A
08313650347	SJ3-G6,5MB45-DNÖ	shielded	NPN	2m cable PVC 3 x 0,15mm ²	A
08313036511	SJ3-G6,5MB60-DPS-V1	shielded	PNP	connector M8 3-pole	A1
08313036521	SJ3-G6,5MB60-DPÖ-V1	shielded	PNP	connector M8 3-pole	A1
08313036531	SJ3-G6,5MB60-DNS-V1	shielded	NPN	connector M8 3-pole	A1
08313036541	SJ3-G6,5MB60-DNÖ-V1	shielded	NPN	connector M8 3-pole	A1

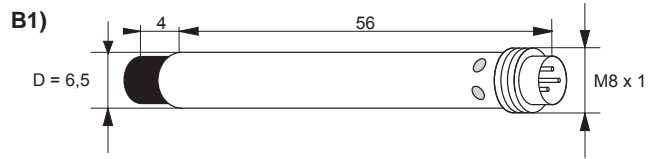
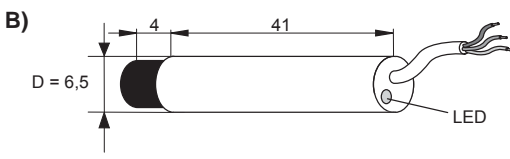
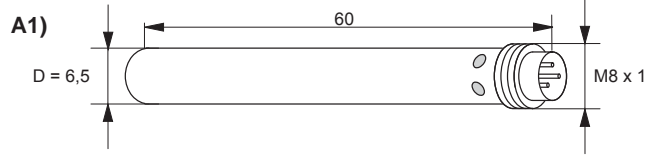
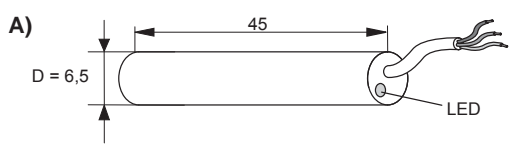
	Designation switching distance 6mm				
08313650617	SJ6-G6,5MN45-DPS	non shielded	PNP	2m cable PVC 3 x 0,15mm ²	B
08313650627	SJ6-G6,5MN45-DPÖ	non shielded	PNP	2m cable PVC 3 x 0,15mm ²	B
08313650637	SJ6-G6,5MN45-DNS	non shielded	NPN	2m cable PVC 3 x 0,15mm ²	B
08313650647	SJ6-G6,5MN45-DNÖ	non shielded	NPN	2m cable PVC 3 x 0,15mm ²	B
08313066511	SJ6-G6,5MN60-DPS-V1	non shielded	PNP	connector M8 3-pole	B1
08313066521	SJ6-G6,5MN60-DPÖ-V1	non shielded	PNP	connector M8 3-pole	B1
08313066531	SJ6-G6,5MN60-DNS-V1	non shielded	NPN	connector M8 3-pole	B1
08313066541	SJ6-G6,5MN60-DNÖ-V1	non shielded	NPN	connector M8 3-pole	B1

Other cable lengths are available in the online-catalogue.



CYLINDER G6,5

Dimensions



all data in mm



INDUCTIVE SENSORS XXL

CYLINDER M8

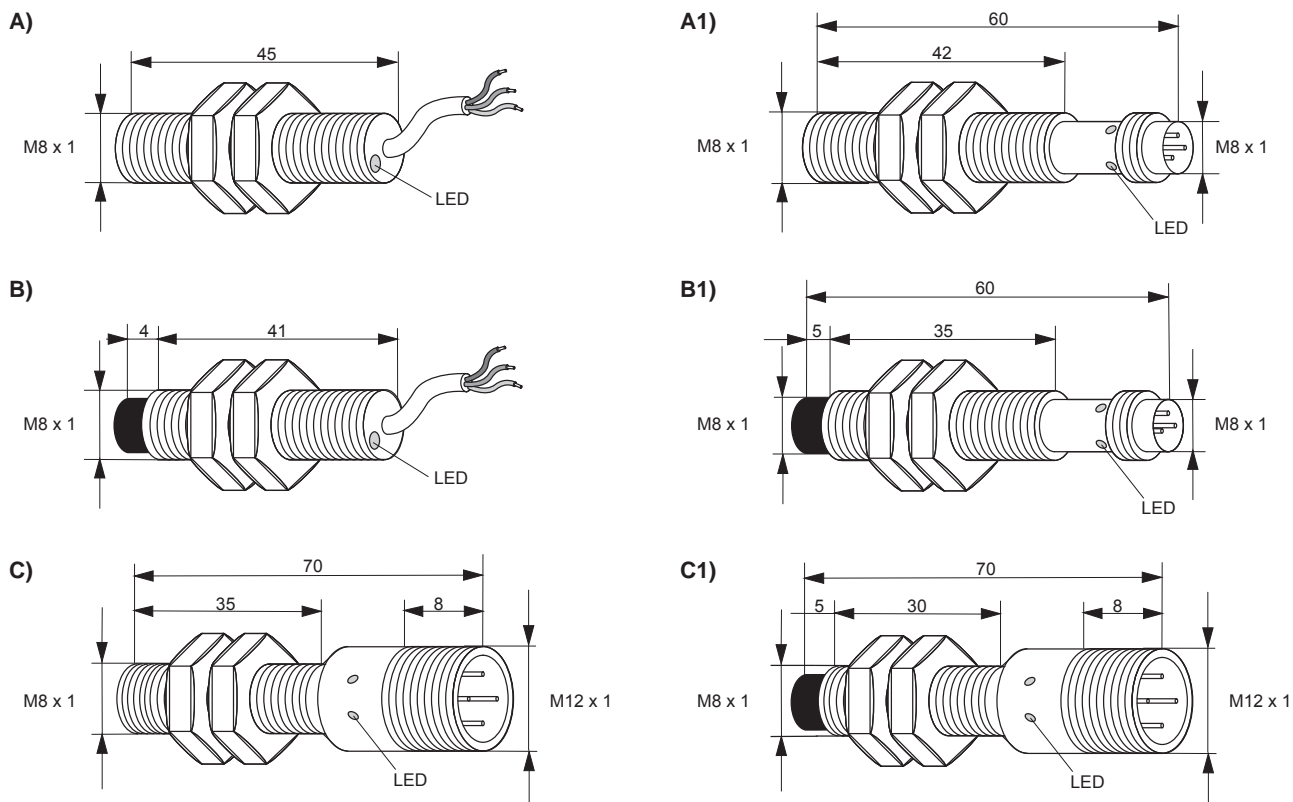
General data

Operating voltage U_b	10V ... 30V DC
Ripple voltage of U_b	$\leq 10\%$
Voltage drop U_d	$\leq 1V$
Max. load current	200mA
Off-state current I_0	$\leq 10mA$
Residual current	$\leq 10\mu A$
Max. switching frequency f	1000Hz
Hysteresis H	$\leq 15\%$ (Sr)
Repeatability R	$\leq 2\%$ (Sr)
Operating temperature T_a	-25°C ... +70°C
Temperature drift	$\leq 10\%$ (Sr)
Protection class	IP67
EMV-standard	according to IEC 60947-5-2
Switching state	LED
Housing material	brass, nickel-plated (except for KJ3-M8EB... stainless steel)
Front cap	KJ3... PA 6.6 KJ6... POM SJ6... POM



The selection chart of these sensors is shown on the following page.

Dimensions



all data in mm



CYLINDER M8

Selection chart

Article number	Designation switching distance 3mm	Mounting	Output signal	Connection	Drawing (front page)
08317815000	KJ3-M8MB45-DPS	shielded	PNP	2m cable PVC 3 x 0,15mm ²	A
08317815400	KJ3-M8MB45-DPÖ	shielded	PNP	2m cable PVC 3 x 0,15mm ²	A
08317815100	KJ3-M8MB45-DNS	shielded	NPN	2m cable PVC 3 x 0,15mm ²	A
08317815500	KJ3-M8MB45-DNÖ	shielded	NPN	2m cable PVC 3 x 0,15mm ²	A
08317815064	KJ3-M8EB60-DPS-V1	shielded	PNP	connector M8 3-pole	A1
08317815464	KJ3-M8EB60-DPÖ-V1	shielded	PNP	connector M8 3-pole	A1
08310001155	KJ3-M8EB60-DNS-V1	shielded	NPN	connector M8 3-pole	A1
08317815564	KJ3-M8EB60-DNÖ-V1	shielded	NPN	connector M8 3-pole	A1
08317815065	KJ3-M8MB70-DPS-V2	shielded	PNP	connector M12 4-pole	C
08313030822	SJ3-M8MB70-DPÖ-V2	shielded	PNP	connector M12 4-pole	C
08313030832	SJ3-M8MB70-DNS-V2	shielded	NPN	connector M12 4-pole	C
08313030842	SJ3-M8MB70-DNÖ-V2	shielded	NPN	connector M12 4-pole	C

	Designation switching distance 6mm				
08317815200	KJ6-M8MN45-DPS	non shielded	PNP	2m cable PVC 3 x 0,15mm ²	B
08317815600	SJ6-M8MN45-DPÖ	non shielded	PNP	2m cable PVC 3 x 0,15mm ²	B
08317815300	KJ6-M8MN45-DNS	non shielded	NPN	2m cable PVC 3 x 0,15mm ²	B
08313080647	SJ6-M8MN45-DNÖ	non shielded	NPN	2m cable PVC 3 x 0,15mm ²	B
08317815264	KJ6-M8MN60-DPS-V1	non shielded	PNP	connector M8 3-pole	B1
08313060821	SJ6-M8MN60-DPÖ-V1	non shielded	PNP	connector M8 3-pole	B1
08313060831	SJ6-M8MN60-DNS-V1	non shielded	NPN	connector M8 3-pole	B1
08313060841	SJ6-M8MN60-DNÖ-V1	non shielded	NPN	connector M8 3-pole	B1
08317815265	KJ6-M8MN70-DPS-V2	non shielded	PNP	connector M12 4-pole	D
08313060822	SJ6-M8MN70-DPÖ-V2	non shielded	PNP	connector M12 4-pole	D
08317815365	KJ6-M8MN70-DNS-V2	non shielded	NPN	connector M12 4-pole	D
08313060842	SJ6-M8MN70-DNÖ-V2	non shielded	NPN	connector M12 4-pole	D

Other cable lengths are available in the online-catalogue.



INDUCTIVE SENSORS XXL

SQUARE Q8

General data

Mounting	shielded
Operating voltage U_b	10V ... 30V DC
Ripple voltage of U_b	$\leq 10\%$
Voltage drop U_d	$\leq 1V$
Max. load current	200mA
Off-state current I_o	$\leq 10mA$
Residual current	$\leq 10\mu A$
Max. switching frequency f	1000Hz
Switching distance	3mm
Hysteresis H	$\leq 15\%$ (Sr)
Repeatability R	$\leq 2\%$ (Sr)
Operating temperature T_a	-25°C ... +70°C
Temperature drift	$\leq 10\%$ (Sr)
Protection class	IP67
EMV-standard	according to IEC 60947-5-2
Switching state	LED
Housing material	brass, nickel-plated
Front cap	POM



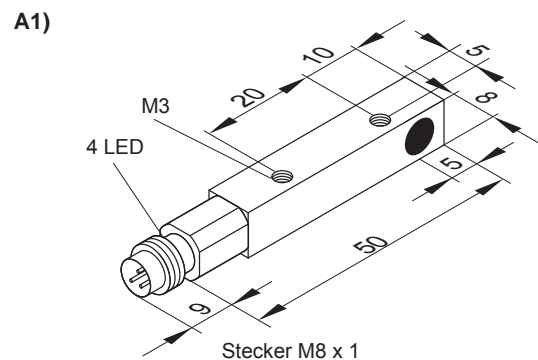
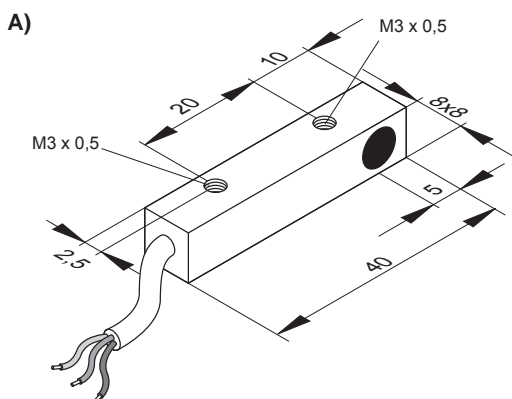
The drawings of these sensors are shown on the following page.

Selection chart

Article number	Designation	Output signal	Connection	Drawing (next page)
08317612000	KJ3-Q8MB40-DPS	PNP	2m cable PVC 3 x 0,15mm ²	A
08313880327	SJ3-Q8MB40-DPÖ	PNP	2m cable PVC 3 x 0,15mm ²	A
08317612100	KJ3-Q8MB40-DNS	NPN	2m cable PVC 3 x 0,15mm ²	A
08313880342	SJ3-Q8MB40-DNÖ	NPN	2m cable PVC 3 x 0,15mm ²	A
08317612064	KJ3-Q8MB60-DPS-V1	PNP	connector M8 3-pole	A1
08313880321	SJ3-Q8MB60-DPÖ-V1	PNP	connector M8 3-pole	A1
08317612164	KJ3-Q8MB60-DNS-V1	NPN	connector M8 3-pole	A1
08313880341	SJ3-Q8MB60-DNÖ-V1	NPN	connector M8 3-pole	A1

Other cable lengths are available in the online-catalogue.

Dimensions





INDUCTIVE SENSORS XXL

CYLINDER M12

General data

Operating voltage U_b	10V ... 30V DC
Ripple voltage of U_b	$\leq 10\%$
Voltage drop U_d	$\leq 1V$
Max. load current	200mA
Off-state current I_o	$\leq 10mA$
Residual current	$\leq 10\mu A$
Max. switching frequency f	KJ6... 1000Hz SJ6... 1000Hz KJ10... 500Hz SJ10... 500Hz
Switching distance	3mm
Hysteresis H	$\leq 15\%$ (Sr)
Repeatability R	$\leq 2\%$ (Sr)
Operating temperature T_a	-25°C ... +70°C
Temperature drift	$\leq 10\%$ (Sr)
Protection class	IP67
EMV-standard	according to IEC 60947-5-2
Switching state	LED
Housing material	brass, nickel-plated
Front cap	KJ6.... POM SJ6.... POM KJ10... PBT SJ10... PBT



The drawings of these sensors are shown on the following page.

Selection chart

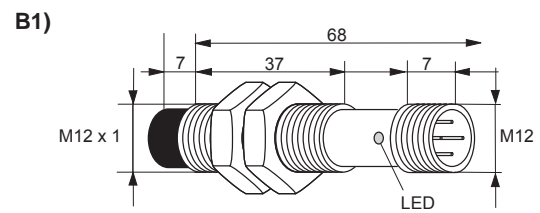
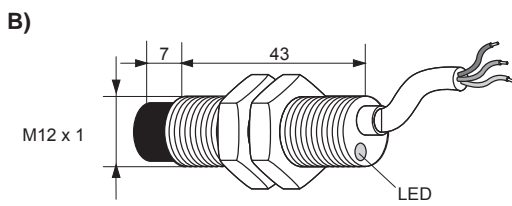
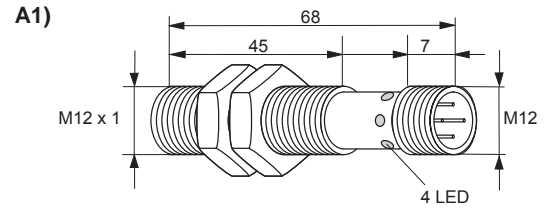
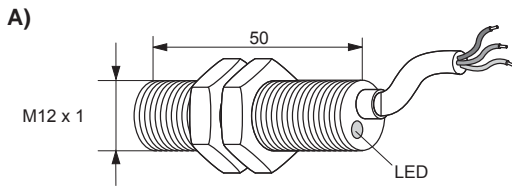
Article number	Designation switching distance 6mm	Mounting	Output signal	Connection	Drawing (next page)
08317825000	KJ6-M12MB50-DPS	shielded	PNP	2m cable PVC 3 x 0,34mm ²	A
08313120627	SJ6-M12MB50-DPÖ	shielded	PNP	2m cable PVC 3 x 0,34mm ²	A
08317825100	KJ6-M12MB50-DNS	shielded	NPN	2m cable PVC 3 x 0,34mm ²	A
08313120647	SJ6-M12MB50-DNÖ	shielded	NPN	2m cable PVC 3 x 0,34mm ²	A
08317825065	KJ6-M12MB68-DPS-V2	shielded	PNP	connector M12 4-pole	A1
08313061222	SJ6-M12MB68-DPÖ-V2	shielded	PNP	connector M12 4-pole	A1
08317825165	KJ6-M12MB68-DNS-V2	shielded	NPN	connector M12 4-pole	A1
08317825565	SJ6-M12MB68-DNÖ-V2	shielded	NPN	connector M12 4-pole	A1
	Designation switching distance 10mm				
08317825200	KJ10-M12MN50-DPS	non shielded	PNP	2m cable PVC 3 x 0,34mm ²	B
08313121027	KJ10-M12MN50-DPÖ	non shielded	PNP	2m cable PVC 3 x 0,34mm ²	B
08317825300	KJ10-M12MN50-DNS	non shielded	NPN	2m cable PVC 3 x 0,34mm ²	B
08313121047	KJ10-M12MN50-DNÖ	non shielded	NPN	2m cable PVC 3 x 0,34mm ²	B
08317825265	KJ10-M12MN68-DPS-V2	non shielded	PNP	connector M12 4-pole	B1
08313101222	KJ10-M12MN68-DPÖ-V2	non shielded	PNP	connector M12 4-pole	B1
08313101232	KJ10-M12MN68-DNS-V2	non shielded	NPN	connector M12 4-pole	B1
08313101242	KJ10-M12MN68-DNÖ-V2	non shielded	NPN	connector M12 4-pole	B1



INDUCTIVE SENSORS XXL

CYLINDER M12

Dimensions



all data in mm



INDUCTIVE SENSORS XXL

SQUARE Q12

General data

Mounting	shielded
Operating voltage U_b	10V ... 30V DC
Ripple voltage of U_b	$\leq 10\%$
Voltage drop U_d	$\leq 2V$
Max. load current	200mA
Off-state current I_o	$\leq 10mA$
Residual current	$\leq 10\mu A$
Max. switching frequency f	1000Hz
Switching distance	6mm
Hysteresis H	$\leq 15\%$ (Sr)
Repeatability R	$\leq 2\%$ (Sr)
Operating temperature T_a	-25°C ... +70°C
Temperature drift	$\leq 10\%$ (Sr)
Protection class	IP67
EMV-standard	according to IEC 60947-5-2
Switching state	LED
Housing material	brass, nickel-plated
Front cap	POM



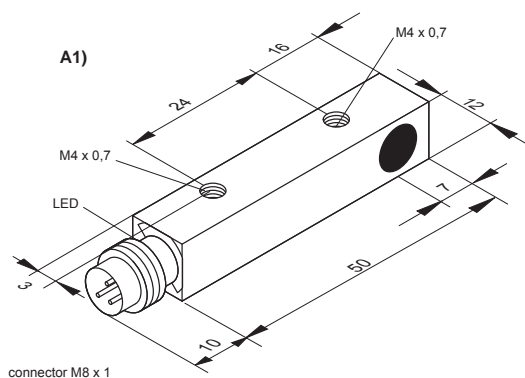
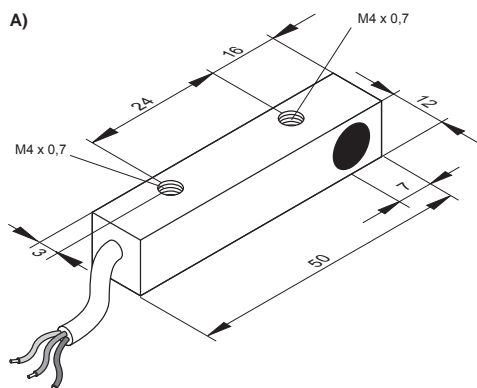
The drawings of these sensors are shown on the following page.

Selection chart

Article number	Designation	Output signal	Connection	Drawing (next page)
08313620617	SJ6-Q12MB50-DPS	PNP	2m cable PVC 3 x 0,15mm ²	A
08313620627	SJ6-Q12MB50-DPÖ	PNP	2m cable PVC 3 x 0,15mm ²	A
08313620637	SJ6-Q12MB50-DNS	NPN	2m cable PVC 3 x 0,15mm ²	A
08313620647	SJ6-Q12MB50-DNÖ	NPN	2m cable PVC 3 x 0,15mm ²	A
08313661211	SJ6-Q12MB60-DPS-V1	PNP	connector M8 3-pole	A1
08313661221	SJ6-Q12MB60-DPÖ-V1	PNP	connector M8 3-pole	A1
08313661231	SJ6-Q12MB60-DNS-V1	NPN	connector M8 3-pole	A1
08313661241	SJ6-Q12MB60-DNÖ-V1	NPN	connector M8 3-pole	A1

Other cable lengths are available in the online-catalogue.

Dimensions





INDUCTIVE SENSORS XXL

CYLINDER M18

General data

Operating voltage U_b	10V ... 30V DC
Ripple voltage of U_b	$\leq 10\%$
Voltage drop U_d	$\leq 2V$
Max. load current	200mA
Off-state current I_o	$\leq 10mA$
Residual current	$\leq 50\mu A$
Max. switching frequency f	KJ12... 300Hz SJ12... 300Hz KJ20... 100Hz SJ20... 100Hz
Hysteresis H	$\leq 15\%$ (Sr)
Repeatability R	$\leq 2\%$ (Sr)
Operating temperature T_a	$-25^\circ C \dots +70^\circ C$
Temperature drift	$\leq 10\%$ (Sr)
Protection class	IP67
EMV-standard	according to IEC 60947-5-2
Switching state	LED
Housing material	brass, nickel-plated
Front cap	PBT



The drawings of these sensors are shown on the next page.

Selection chart

Article number	Designation switching distance 12mm	Mounting	Output signal	Connection	Drawing (next page)
08317845000	KJ12-M18MB65-DPS	shielded	PNP	2m cable PVC 3 x 0,34mm ²	A
08313181227	SJ12-M18MB65-DPÖ	shielded	PNP	2m cable PVC 3 x 0,34mm ²	A
08317845100	KJ12-M18MB65-DNS	shielded	NPN	2m cable PVC 3 x 0,34mm ²	A
08313181247	SJ12-M18MB65-DNÖ	shielded	NPN	2m cable PVC 3 x 0,34mm ²	A
08317845065	KJ12-M18MB76-DPS-V2	shielded	PNP	connector M12 4-pole	A1
08313121822	SJ12-M18MB76-DPÖ-V2	shielded	PNP	connector M12 4-pole	A1
08313121832	SJ12-M18MB76-DNS-V2	shielded	NPN	connector M12 4-pole	A1
08313121842	SJ12-M18MB76-DNÖ-V2	shielded	NPN	connector M12 4-pole	A1
	Designation switching distance 20mm				
08317845200	KJ20-M18MN65-DPS	non shielded	PNP	2m cable PVC 3 x 0,34mm ²	B
08313182027	SJ20-M18MN65-DPÖ	non shielded	PNP	2m cable PVC 3 x 0,34mm ²	B
08317845300	KJ20-M18MN65-DNS	non shielded	NPN	2m cable PVC 3 x 0,34mm ²	B
08313182047	SJ20-M18MN65-DNÖ	non shielded	NPN	2m cable PVC 3 x 0,34mm ²	B
08317845265	KJ20-M18MN76-DPS-V2	non shielded	PNP	connector M12 4-pole	B1
08313201822	SJ20-M18MN76-DPÖ-V2	non shielded	PNP	connector M12 4-pole	B1
08317845365	KJ20-M18MN76-DNS-V2	non shielded	NPN	connector M12 4-pole	B1
08313201842	SJ20-M18MN76-DNÖ-V2	non shielded	NPN	connector M12 4-pole	B1

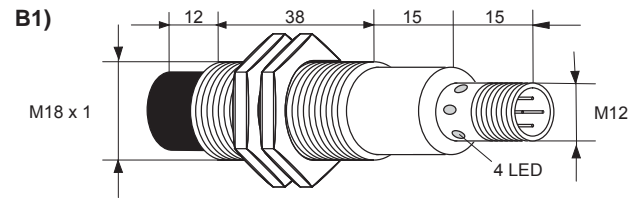
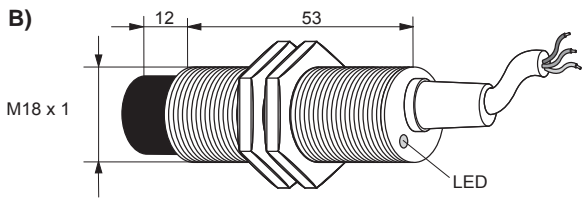
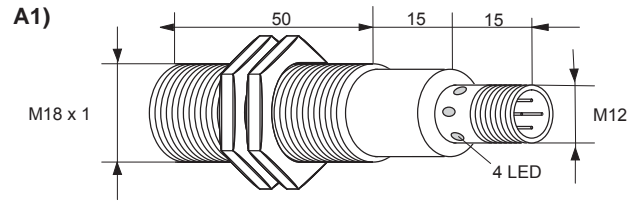
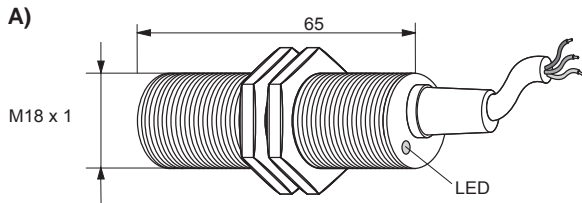
Other cable lengths are available in the online-catalogue.



INDUCTIVE SENSORS XXL

CYLINDER M18

Dimensions



all data in mm



INDUCTIVE SENSORS XXL

CYLINDER M30

General data

Operating voltage U_b	10V ... 30V DC
Ripple voltage of U_b	$\leq 10\%$
Voltage drop U_d	$\leq 2V$
Max. load current	200mA
Off-state current I_0	$\leq 10mA$
Residual current	$\leq 50\mu A$
Max. switching frequency f	KJ22... 300Hz SJ22... 300Hz KJ40... 100Hz SJ40... 100Hz
Hysteresis H	$\leq 15\%$ (Sr)
Repeatability R	$\leq 2\%$ (Sr)
Operating temperature T_a	$-25^\circ C \dots +70^\circ C$
Temperature drift	$\leq 10\%$ (Sr)
Protection class	IP67
EMV-standard	according to IEC 60947-5-2
Switching state	LED
Housing material	brass, nickel-plated
Front cap	PBT



The drawings of these sensors are shown on the following page.

Selection chart

Article number	Designation switching distance 22mm	Mounting	Output signal	Connection	Drawing (next page)
08317865000	KJ22-M30MB65-DPS	shielded	PNP	2m cable PVC 3 x 0,5mm ²	A
08317865400	KJ22-M30MB65-DPÖ	shielded	PNP	2m cable PVC 3 x 0,5mm ²	A
08317865100	KJ22-M30MB65-DNS	shielded	NPN	2m cable PVC 3 x 0,5mm ²	A
08313302247	SJ22-M30MB65-DNÖ	shielded	NPN	2m cable PVC 3 x 0,5mm ²	A
08317865065	KJ22-M30MB80-DPS-V2	shielded	PNP	connector M12 4-pole	A1
08313223022	SJ22-M30MB80-DPÖ-V2	shielded	PNP	connector M12 4-pole	A1
08313223032	SJ22-M30MB80-DNS-V2	shielded	NPN	connector M12 4-pole	A1
08323223042	SJ22-M30MB80-DNÖ-V2	shielded	NPN	connector M12 4-pole	A1
	Designation switching distance 40mm				
08317865200	KJ40-M30MN80-DPS	non shielded	PNP	2m cable PVC 3 x 0,5mm ²	B
08313304027	SJ40-M30MN80-DPÖ	non shielded	PNP	2m cable PVC 3 x 0,5mm ²	B
08317865300	KJ40-M30MN80-DNS	non shielded	NPN	2m cable PVC 3 x 0,5mm ²	B
08313304047	SJ40-M30MN80-DNÖ	non shielded	NPN	2m cable PVC 3 x 0,5mm ²	B
08317865265	KJ40-M30MN95-DPS-V2	non shielded	PNP	connector M12 4-pole	B1
08313403022	SJ40-M30MN95-DPÖ-V2	non shielded	PNP	connector M12 4-pole	B1
08317865365	SJ40-M30MN95-DNS-V2	non shielded	NPN	connector M12 4-pole	B1
08313403042	SJ40-M30MN95-DNÖ-V2	non shielded	NPN	connector M12 4-pole	B1

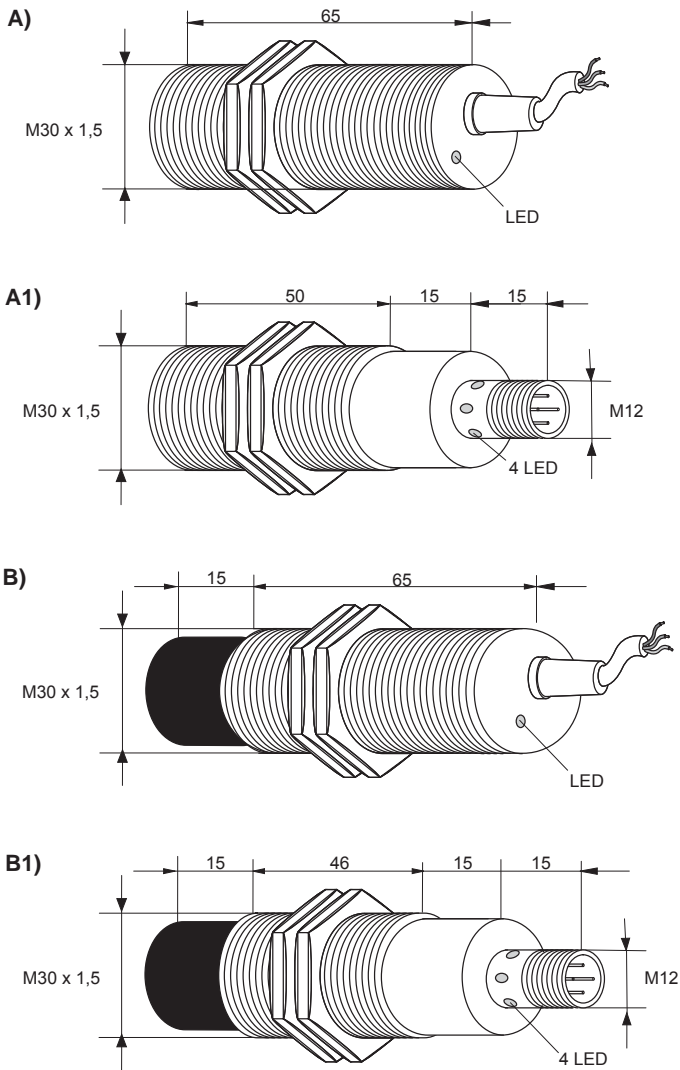
Other cable lengths are available in the online-catalogue.



INDUCTIVE SENSORS XXL

CYLINDER M30

Dimensions



all data in mm



INDUCTIVE SENSORS XXL

PRODUCT OVERVIEW

Product group	Designation	Article number	Matchcode	Page
Inductive Sensors XXL	SJ3-G6,5MB45-DPS	08313650317		5
Inductive Sensors XXL	SJ3-G6,5MB45-DPÖ	08313650327		5
Inductive Sensors XXL	SJ3-G6,5MB45-DNS	08313650337		5
Inductive Sensors XXL	SJ3-G6,5MB45-DNÖ	08313650347		5
Inductive Sensors XXL	SJ3-G6,5MB60-DPS-V1	08313036511		5
Inductive Sensors XXL	SJ3-G6,5MB60-DPÖ-V1	08313036521		5
Inductive Sensors XXL	SJ3-G6,5MB60-DNS-V1	08313036531		5
Inductive Sensors XXL	SJ3-G6,5MB60-DNÖ-V1	08313036541		5
Inductive Sensors XXL	KJ3-M8MB45-DPS	08317815000	9981-5000	8
Inductive Sensors XXL	KJ3-Q8MB40-DPS	08317612000	9861-2000	9
Inductive Sensors XXL	KJ3-M8MB45-DPÖ	08317815400	9981-5400	8
Inductive Sensors XXL	SJ3-Q8MB40-DPÖ	08313880327		9
Inductive Sensors XXL	KJ3-M8MB45-DNS	08317815100	9981-5100	8
Inductive Sensors XXL	KJ3-Q8MB40-DNS	08317612100	9861-2100	9
Inductive Sensors XXL	KJ3-M8MB45-DNÖ	08317815500		8
Inductive Sensors XXL	SJ3-Q8MB40-DNÖ	08313880342		9
Inductive Sensors XXL	KJ3-M8MB60-DPS-V1	08317815064	9981-5064	8
Inductive Sensors XXL	KJ3-Q8MB60-DPS-V1	08317612064	9861-2064	9
Inductive Sensors XXL	KJ3-M8EB60-DPÖ-V1	08317815464		8
Inductive Sensors XXL	SJ3-Q8MB60-DPÖ-V1	08313880321		9
Inductive Sensors XXL	KJ3-M8EB60-DNS-V1	08310001155		8
Inductive Sensors XXL	KJ3-Q8MB60-DNS-V1	08317612164	9861-2164	9
Inductive Sensors XXL	KJ3-M8EB60-DNÖ-V1	08317815564		8
Inductive Sensors XXL	SJ3-Q8MB60-DNÖ-V1	08313880341		9
Inductive Sensors XXL	KJ3-M8MB70-DPS-V2	08317815065	9981-5065	8
Inductive Sensors XXL	SJ3-M8MB70-DPÖ-V2	08313030822		8
Inductive Sensors XXL	SJ3-M8MB70-DNS-V2	08313030832		8
Inductive Sensors XXL	SJ3-M8MB70-DNÖ-V2	08313030842		8
Inductive Sensors XXL	SJ6-G6,5MN45-DPS	08313650617		5
Inductive Sensors XXL	SJ6-G6,5MN45-DPÖ	08313650627		5
Inductive Sensors XXL	SJ6-G6,5MN45-DNS	08313650637		5
Inductive Sensors XXL	SJ6-G6,5MN45-DNÖ	08313650647		5
Inductive Sensors XXL	SJ6-G6,5EN60-DPS-V1	08313066511		5
Inductive Sensors XXL	SJ6-G6,5EN60-DPÖ-V1	08313066521		5
Inductive Sensors XXL	SJ6-G6,5MN60-DNS-V1	08313066531		5
Inductive Sensors XXL	SJ6-G6,5MN60-DNÖ-V1	08313066541		5
Inductive Sensors XXL	KJ6-M8MN45-DPS	08317815200	9981-5200	8
Inductive Sensors XXL	SJ6-M8MN45-DPÖ	08317815600		8
Inductive Sensors XXL	KJ6-M8MN45-DNS	08317815300	9981-5300	8
Inductive Sensors XXL	SJ6-M8MN45-DNÖ	08313080647		8
Inductive Sensors XXL	KJ6-M8MN60-DPS-V1	08317815264	9981-5264	8
Inductive Sensors XXL	SJ6-M8MN60-DPÖ-V1	08313060821		8
Inductive Sensors XXL	SJ6-M8MN60-DNS-V1	08313060831		8
Inductive Sensors XXL	SJ6-M8MN60-DNÖ-V1	08313060841		8
Inductive Sensors XXL	KJ6-M8MN70-DPS-V2	08317815265	9981-5265	8
Inductive Sensors XXL	SJ6-M8MN70-DPÖ-V2	08313060822		8
Inductive Sensors XXL	KJ6-M8MN70-DNS-V2	08317815365		8
Inductive Sensors XXL	SJ6-M8MN70-DNÖ-V2	08313060842		8



INDUCTIVE SENSORS XXL

PRODUCT OVERVIEW

Product group	Designation	Article number	Matchcode	Page
Inductive Sensors XXL	KJ6-M12MB50-DPS	08317825000	9982-5000	10
Inductive Sensors XXL	SJ6-Q12MB50-DPS	08313620617		12
Inductive Sensors XXL	SJ6-M12MB50-DPÖ	08313120627		10
Inductive Sensors XXL	SJ6-Q12MB50-DPÖ	08313620627		12
Inductive Sensors XXL	KJ6-M12MB50-DNS	08317825100	9982-5100	10
Inductive Sensors XXL	SJ6-Q12MB50-DNS	08313620637		12
Inductive Sensors XXL	SJ6-M12MB50-DNÖ	08313120647		10
Inductive Sensors XXL	SJ6-Q12MB50-DNÖ	08313620647		12
Inductive Sensors XXL	SJ6-Q12MB60-DPS-V1	08313661211		12
Inductive Sensors XXL	SJ6-Q12MB60-DPÖ-V1	08313661221		12
Inductive Sensors XXL	SJ6-Q12MB60-DNS-V1	08313661231		12
Inductive Sensors XXL	SJ6-Q12MB60-DNÖ-V1	08313661241		12
Inductive Sensors XXL	KJ6-M12MB68-DPS-V2	08317825065	9982-5065	10
Inductive Sensors XXL	SJ6-M12MB68-DPÖ-V2	08313061222		10
Inductive Sensors XXL	KJ6-M12MB68-DNS-V2	08317825165		10
Inductive Sensors XXL	SJ6-M12MB68-DNÖ-V2	08317825565		10
Inductive Sensors XXL	KJ10-M12MN50-DPS	08317825200	9982-5200	10
Inductive Sensors XXL	SJ10-M12MN50-DPÖ	08313121027		10
Inductive Sensors XXL	KJ10-M12MN50-DNS	08317825300	9982-5300	10
Inductive Sensors XXL	KJ10-M12MN50-DNÖ	08313121047		10
Inductive Sensors XXL	KJ10-M12MN68-DPS-V2	08317825265	9982-5265	10
Inductive Sensors XXL	SJ10-M12MN68-DPÖ-V2	08313101222		10
Inductive Sensors XXL	KJ10-M12MN68-DNS-V2	08313101232		10
Inductive Sensors XXL	SJ10-M12MN68-DNÖ-V2	08313101242		10
Inductive Sensors XXL	KJ12-M18MB65-DPS	08317845000	9984-5000	13
Inductive Sensors XXL	SJ12-M18MB65-DPÖ	08313181227		13
Inductive Sensors XXL	KJ12-M18MB65-DNS	08317845100	9984-5100	13
Inductive Sensors XXL	SJ12-M18MB65-DNÖ	08313181247		13
Inductive Sensors XXL	KJ12-M18MB76-DPS-V2	08317845065	9984-5065	13
Inductive Sensors XXL	SJ12-M18MB76-DPÖ-V2	08313121822		13
Inductive Sensors XXL	SJ12-M18MB76-DNS-V2	08313121832		13
Inductive Sensors XXL	SJ12-M18MB76-DNÖ-V2	08313121842		13
Inductive Sensors XXL	KJ20-M18MN65-DPS	08317845200	9984-5200	13
Inductive Sensors XXL	SJ20-M18MN65-DPÖ	08313182027		13
Inductive Sensors XXL	KJ20-M18MN65-DNS	08317845300	9984-5300	13
Inductive Sensors XXL	SJ20-M18MN65-DNÖ	08313182047		13
Inductive Sensors XXL	KJ20-M18MN76-DPS-V2	08317845265	9984-5265	13
Inductive Sensors XXL	SJ20-M18MN76-DPÖ-V2	08313201822		13
Inductive Sensors XXL	KJ20-M18MN76-DNS-V2	08317845365	9984-5365	13
Inductive Sensors XXL	SJ20-M18MN76-DNÖ-V2	08313201842		13
Inductive Sensors XXL	KJ22-M30MB65-DPS	08317865000	9986-5000	15
Inductive Sensors XXL	KJ22-M30MB65-DPÖ	08317865400	9986-5400	15
Inductive Sensors XXL	KJ22-M30MB65-DNS	08317865100	9986-5100	15
Inductive Sensors XXL	SJ22-M30MB65-DNÖ	08313302247		15
Inductive Sensors XXL	KJ22-M30MB80-DPS-V2	08317865065	9986-5065	15
Inductive Sensors XXL	SJ22-M30MB80-DPÖ-V2	08313223022		15
Inductive Sensors XXL	SJ22-M30MB80-DNS-V2	08313223032		15



PRODUCT OVERVIEW

Product group	Designation	Article number	Matchcode	Page
Inductive Sensors XXL	SJ22-M30MB80-DNÖ-V2	08323223042		15
Inductive Sensors XXL	KJ40-M30MN80-DPS	08317865200	9986-5200	15
Inductive Sensors XXL	SJ40-M30MN80-DPÖ	08313304027		15
Inductive Sensors XXL	KJ40-M30MN80-DNS	08317865300	9986-5300	15
Inductive Sensors XXL	SJ40-M30MN80-DNÖ	08313304047		15
Inductive Sensors XXL	KJ40-M30MN95-DPS-V2	08317865265	9986-5265	15
Inductive Sensors XXL	SJ40-M30MN95-DPÖ-V2	08313403022		15
Inductive Sensors XXL	SJ40-M30MN95-DNS-V2	08317865365		15
Inductive Sensors XXL	SJ40-M30MN95-DNÖ-V2	08313403042		15



NOTES

