

# Bimba Air Reservoirs

Bimba reservoirs are available in four different configurations. Traditional reservoirs are available with three different end cap materials, and an extruded aluminum body version is offered with the option of adding multiple ports for manifold applications.



**Aluminum End Caps  
A Series**



**Plastic End Caps  
P Series**



**Stainless Steel End Caps  
S Series**



**Extruded Body with  
Optional Ports  
E Series**

## How to Order

**D - 1500 - A - 4 - - - - \* - \***

BORE SIZE
1022 - 3/4"
1500 - 1-1/16"
27715 - 1-1/4"
5096 - 1-1/2"
2485 - 2"
11846 - 2-1/2"
17469 - 3"
116067 - 4"

SERIES
A - Aluminum End Caps (3/4" through 3" only)
E - Extruded Aluminum Manifold Designs (3/4", 1-1/16", 1-1/2", 2-1/2", 4" bore only)
P - Plastic End Caps (3/4", 1-1/16", 1-1/2", 2" bore only)
S - Stainless Steel End Caps (3/4" through 3" only)

LENGTH
Series A, P, S 1" - 50" (Available in .01" increments)
Series E 1" - 11" (Available in 1" increments only)

PORT LOCATIONS
(*required for Extruded Body "E" Series only) The number of ports cannot exceed the models length

\* Note on ports and locations for manifold style (E)  
- The total number of ports is signified by the number of letters shown (example: **A C D** = 3 ports)  
- The location of ports is signified by the letter (see drawing) Location A = A, Location B = B, etc.

MOUNTING OPTIONS AND PORT/MOUNTING THREADS
(*required for Extruded Body "E" Series only)
1 - Threaded bottom mounting and metric port and mounting threads
1E - Threaded bottom mounting and imperial port and mounting threads
3 - Threaded front/rear mounting and metric port and mounting threads
3E - Threaded front/rear mounting and imperial port and mounting thread
5 - Basic counterbored mounting holes and metric port threads
5E - Basic counterbored mounting holes and imperial threads (previous "standard" design)

Flow Controls

Air Booster  
Cylinders

Air Reservoirs

Manual  
Valves

Shock  
Absorbers

Transition  
Plates

Application  
Checklist

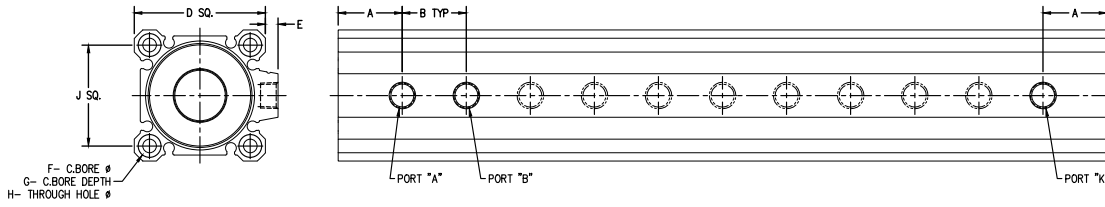
Alignment  
Couplers

Appendix

# Bimba Air Reservoirs

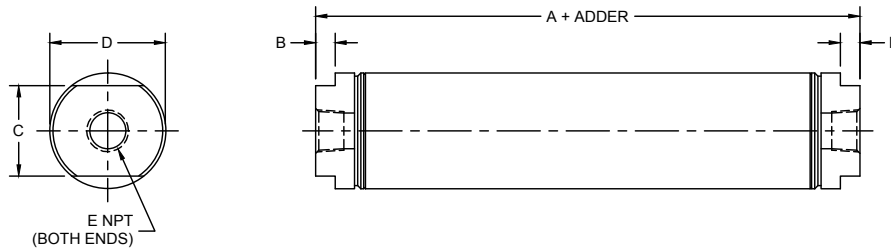
## Dimensions

### Series E



Bore	A	B	D	E	F	G	H	J	Port
20mm (3/4")	25.4mm (1")	25.4mm (1")	36.3mm (1.43")	0mm (0")	9mm (0.35")	7.0mm (0.28")	5.5mm (0.22")	25.5mm (1.00")	M5 X 0.8 (#10-32)
25mm (1-1/16")	25.4mm (1")	25.4mm (1")	40.4mm (1.59")	0mm (0")	9mm (0.35")	7.0mm (0.28")	5.5mm (0.22")	28.0mm (1.10")	M5 X 0.8 (#10-32)
40mm (1-1/2")	25.4mm (1")	25.4mm (1")	52.3mm (2.06")	5.08mm (0.20")	9mm (0.35")	7.0mm (0.28")	5.5mm (0.22")	40.0mm (1.57")	G - 1/8 (NPT 1/8)
63mm (2-1/2")	25.4mm (1")	25.4mm (1")	77.5mm (3.05")	7.11mm (0.28")	14.1mm (0.56")	10.5mm (0.41")	8.8mm (0.35")	60.0mm (2.36")	G - 1/4 (NPT 1/4)
100mm (4")	25.4mm (1")	25.4mm (1")	117.6mm (4.63")	6.60mm (0.26")	17.5mm (0.69")	13.5mm (0.53")	11.0mm (0.43")	94.0mm (3.70")	G - 3/8" (NPT 3/8)

### Series A, P, S



Bore	A	B	C	D	E (ports)
3/4"	1.94"	0.18"	0.63"	0.81"	1/8 NPT
1-1/16"	2.38"	0.19"	0.88"	1.13"	1/8 NPT
1-1/4"	1.38"	0.25"	0.88"	1.33"	1/8 NPT
1-1/2"	2.25"	0.31"	0.88"	1.56"	1/8 NPT
2"	2.88"	0.31"	1.25"	2.08"	1/4 NPT
2-1/2"	2.88"	0.31"	1.75"	2.61"	1/4 NPT
3"	3.19"	0.31"	2"	3.13"	3/8 NPT

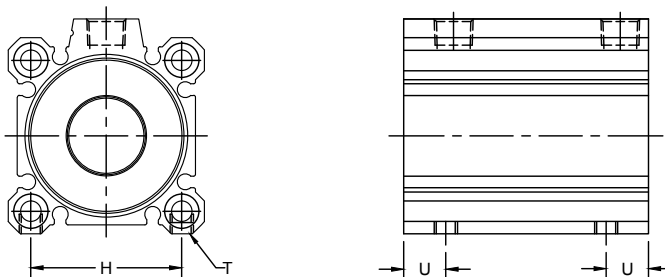
# Bimba Air Reservoirs

## Mounting Options

### Series E

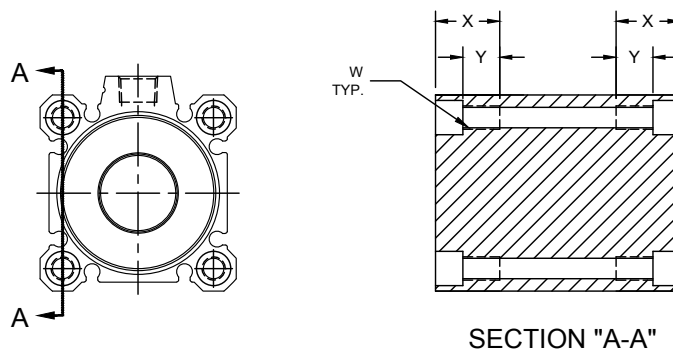
#### Threaded Bottom Mount (-1)

Bore	H	T	U
20mm (3/4")	25.5mm (1.00")	M6 x 1.0 6H (1/4-20 UNC-2B)	11.2mm (0.44")
25mm (1")	28.0mm (1.10")	M6 x 1.0 6H (1/4-20 UNC-2B)	11.2mm (0.44")
40mm (1-1/2")	40.0mm (1.57")	M6 x 1.0 6H (1/4-20 UNC-2B)	11.2mm (0.44")
63mm (2-1/2")	60.0mm (2.36")	M10 x 1.5 6H (7/16-14 UNC-2B)	16.8mm (0.66")
100mm (4")	94.0mm (3.70")	M12 x 1.75 6H (1/2-13 UNC-2B)	20.8mm (0.82")



#### Threaded Front/Rear Mount (-3)

Bore	W	X	Y
20mm (3/4")	M6 x 1.0 6H (1/4-20 UNC-2B)	17.0mm (0.67")	10.0mm (0.39")
25mm (1")	M6 x 1.0 6H (1/4-20 UNC-2B)	17.0mm (0.67")	10.0mm (0.39")
40mm (1-1/2")	M6 x 1.0 6H (1/4-20 UNC-2B)	17.0mm (0.67")	10.0mm (0.39")
63mm (2-1/2")	M10 x 1.5 6H (7/16-14 UNC-2B)	28.5mm (1.12")	18.0mm (0.71")
100mm (4")	M12 x 1.75 6H (1/2-13 UNC-2B)	35.6mm (1.40")	22.0mm (0.87")



Flow Controls

Air Booster  
Cylinders

Air Reservoirs

Manual  
Valves

Shock  
Absorbers

Transition  
Plates

Application  
Checklist

Alignment  
Couplers

Appendix

# Bimba Air Reservoirs

## Weights and Volumes

### All Series

Bore	Model	Base Weight (lbs.)	Weight Adder per inch of length (lbs.)	Base Volume (cu.in)	Volume Adder (cu.in)
3/4"	D-1022-A	0.06	0.02	0.43	0.45
	D-1022-S	0.13		0.43	0.45
	D-1022-P	0.04		0.47	0.45
	D-1022-E	0.19	0.10	0.78	0.47
1-1/16"	D-1500-A	0.14	0.03	1.06	0.89
	D-1500-S	0.33		1.06	0.89
	D-1500-P	0.08		1.21	0.89
	D-1500-E	0.23	0.12	1.18	0.74
1-1/4"	D-27715-A	0.13	0.03	0.39	1.23
	D-27715-S	0.36		0.39	1.23
1-1/2"	D-5096-A	0.23	0.04	1.95	1.77
	D-5096-S	0.57		1.95	1.77
	D-5096-P	0.14		1.97	1.77
	D-5096-E	0.31	0.15	3.05	1.90
2"	D-2485-A	0.49	0.06	4.74	3.15
	D-2485-S	1.33		4.31	3.15
	D-2485-P	0.31		4.74	3.15
2-1/2"	D-11846-A	0.77	0.08	7.14	4.92
	D-11846-S	1.76	0.32	7.99	4.92
	D-11846-E	0.64		6.84	4.71
3"	D-17469-A	1.40	0.14	10.07	7.09
	D-17469-S	3.65		10.07	7.09
4"	D-116067-E	1.44	0.72	15.43	11.95

## Materials and Specifications

Series	End Cap Material	Body Material	Maximum Pressure	Maximum Temperature
A	6000 Series Aluminum	304 Stainless Steel	250 psi	400° F
S	303 Stainless Steel	304 Stainless Steel	250 psi	400° F
P	Delrin®	304 Stainless Steel	100 psi	32° F to 160° F
E	Aluminum	Anodized Aluminum	200 psi	250° F

# Bimba Air Reservoirs

## List Prices

### All Series

Bore	Model	Base Price	Adder per inch of length	Adder per port	Mounting Options (E Style only)	
					-1 (threaded bottom)	-3 (threaded front/rear)
3/4"	D-1022-A	\$ 9.55	\$ 1.20	N/A	N/A	N/A
	D-1022-P	23.10	1.20	N/A	N/A	N/A
	D-1022-S	45.10	1.20	N/A	N/A	N/A
	D-1022-E	30.60	1.50	\$3.00	\$6.30	\$9.70
1-1/16"	D-1500-A	10.50	1.45	N/A	N/A	N/A
	D-1500-P	31.00	1.45	N/A	N/A	N/A
	D-1500-S	62.05	1.45	N/A	N/A	N/A
	D-1500-E	34.60	2.00	3.00	6.60	10.05
1-1/4"	D-27715-A	19.90	1.70	N/A	N/A	N/A
	D-27715-S	66.40	1.70	N/A	N/A	N/A
1-1/2"	D-5096-A	23.35	2.20	N/A	N/A	N/A
	D-5096-P	43.10	2.20	N/A	N/A	N/A
	D-5096-S	77.35	2.20	N/A	N/A	N/A
	D-5096-E	41.70	2.50	3.00	7.55	11.45
2"	D-2485-A	30.45	2.55	N/A	N/A	N/A
	D-2485-P	51.90	2.55	N/A	N/A	N/A
	D-2485-S	89.95	2.55	N/A	8.30	12.55
2-1/2"	D-11846-A	48.95	3.40	N/A	N/A	N/A
	D-11846-S	96.00	3.40	N/A	N/A	N/A
	D-11846-E	54.50	11.00	3.00	8.60	13.35
3"	D-17469-A	64.10	4.20	N/A	N/A	N/A
	D-17469-S	109.45	4.20	N/A	N/A	N/A
4"	D-116067-E	95.05	17.20	3.00	9.20	10.40

Flow Controls

Air Booster  
Cylinders

Air Reservoirs

Manual  
Valves

Shock  
Absorbers

Transition  
Plates

Application  
Checklist

Alignment  
Couplers

Appendix