

TABLE OF CONTENT

Control units

Relay Universal	3
Control unit for pick-up-sensors	4
Control unit for four pick-up-sensors	5
Control unit Ex	6
Control unit tenfold	7
8-Bit AD-converter	8
Speed relay	9
Sensor tester DC	10

Accessories Laser / Colour sensors

Cables	11
Optical fibres	15
Others	16

Accessories Opto

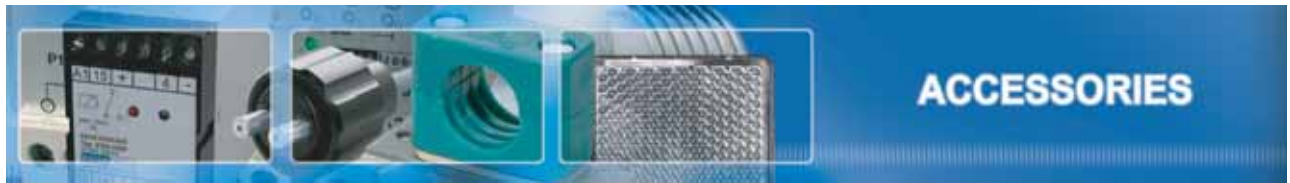
Reflectors	21
Optical fibre plastic	24
Optical fibre glass	26
Others	28

Mounting equipment

Clamps	29
--------	----

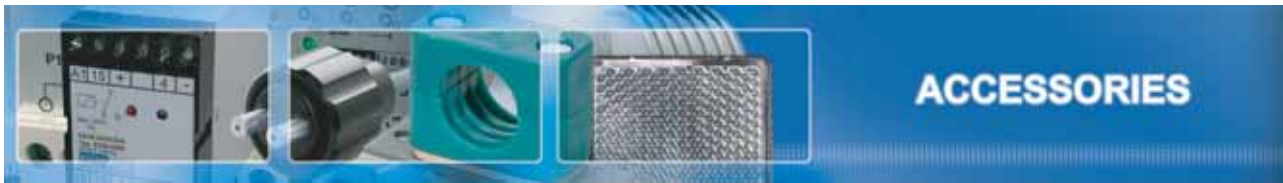
Product overview

All sensors at a glance	31
-------------------------	----



NOTES



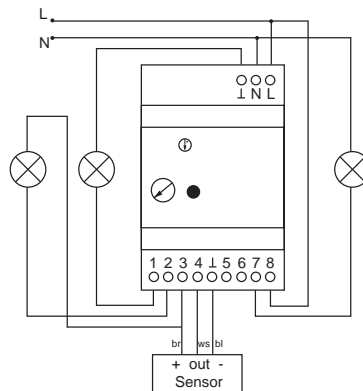
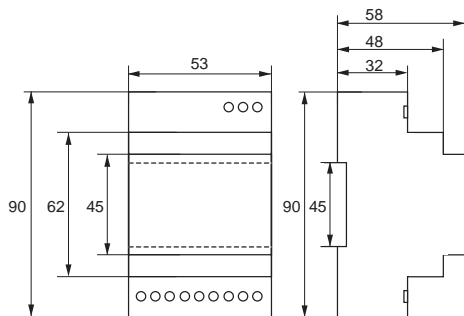


UNIVERSAL CONTROL UNIT 230V

This control unit serves for supplying digital sensors and for isolating MSR signals electrically. Additionally to the standard configurations for NPN or PNP drivers the device provides an adjustable pulse lengthening of maximum 60 sec. The device evaluates the signals of the sensor and at the same time provides the operating voltage for it. It has been rated especially for mounting on a 35mm top hat rail. Due to its' IP20 housing with optional top hat rail detent the device is appropriate for screwed mounting as well as for mounting in a switch cabinet.

If the connected sensor excites a signal, the control unit collects and lengthens it on the adjusted period. When during that time another signal is excited, it will be lengthened on the adjusted period again. After that the signal is output via a relay and a transistor output. The active switching state is indicated by an LED. The device can be operated with 24V direct current or alternatively with line voltage. All outputs provide short circuit protection as well as overload protection. All voltage inputs are protected against reverse polarity.

Dimensions, Connection

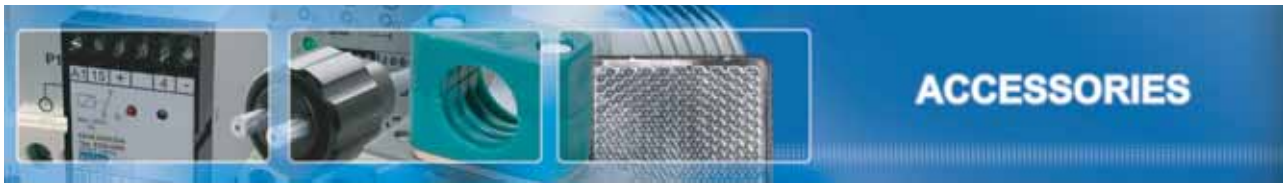


Technical data

	Control unit for ring sensors 230V AC / 24V DC	Control unit for ring sensors 115V AC / 24V DC
Article number	08349005011	08349005013
Supply voltage	230V DC, 50/60Hz or 24V DC	115V, 50/60Hz or 24V DC
Sensor supply	24V DC, max. 80mA*	
Transistor output	1 x NPN, 1 x PNP, 25mA open collector*	
Relay output	1 potential-free changer, max. 250 V AC, 5A	
Switching time per pulse	1 ... 10 / 1 ... 60s (adjustable)	
Operating temperature	-10°C ... +50°C	
Storage temperature	-10°C ... +60°C	
Protection class	IP20	
Housing material	polycarbonate (UL 94V-0)	

* Overload and short circuit protected.

all data in mm

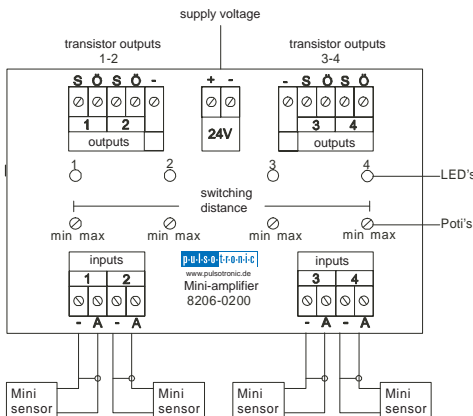


CONTROL UNIT FOR 4 PICK-UP SENSORS

This Amplifier unit allows the connection of maximum 4 pick-up sensors. The housing is designed for mounting on DIN/EN guide rails. The switching distance of each connected mini-sensor can be adjusted using the potentiometer. The switching state of each sensor is indicated by a led. The control unit includes:

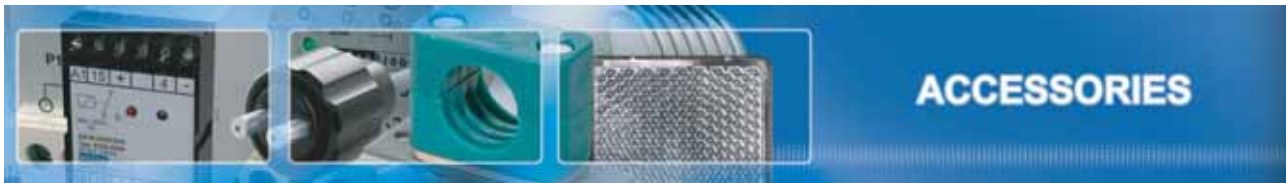
- an amplifier electronic for the connection of max. 4 pick-up sensors
- a changeover transistor exit PNP for each connected mini sensor

Connection



Technical data

Designation	Control unit for four pick-up sensors
Order number	08319060200
Operating voltage U_p	18 V ... 30 V DC
Operating temperature	10 °C ... +70 °C
Transistor output	antivalent, PNP
Max. load current	80 mA
Voltage drop	< 1,5V
Max. switching frequency	2 kHz
Dimensions (mm)	112,5 x 77 x 50
Protection degree	IP 20

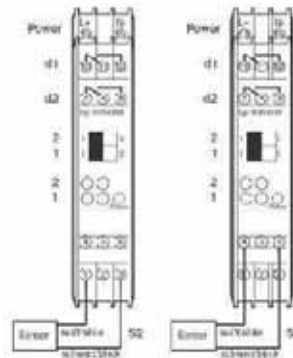
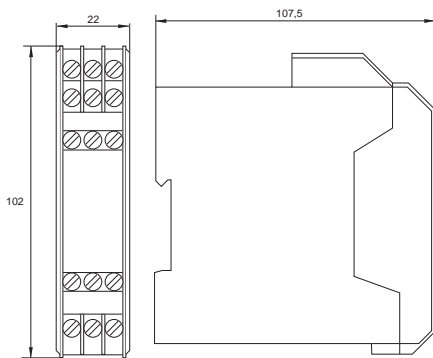


CONTROL UNIT EX

The disconnection amplifiers transfer switch orders from a self safed control unit into a non self safed activ circuit. The control unit is safe acc. to EN 60947-5-6 and acc. EN 50014 and EN 50020 (EExia) II C laid out. The conformity is certified by IBExU Institut für Sicherheitstechnik GmbH Freiberg / Germany.

Main unit, switch amplifier, electronic evaluation and output relay are mounted in a 22mm DIN-rail construction case. The devices are checked IEC acc. to EMC 801-2 to 5. The quick-connection is on DIN Rail 46 277. LED displays for the indication of operating voltage (green), switching state (yellow) and wire break / short circuit (red) of the sensor cable are integrated in the front panel. For control Namur sensors or mechanical switches can be used.

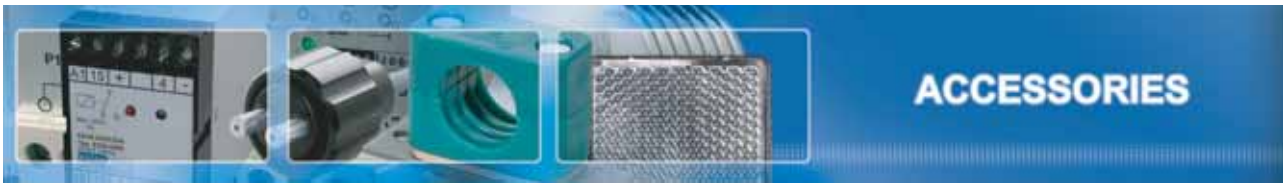
Dimension, Connection



all data in mm

Technical Data

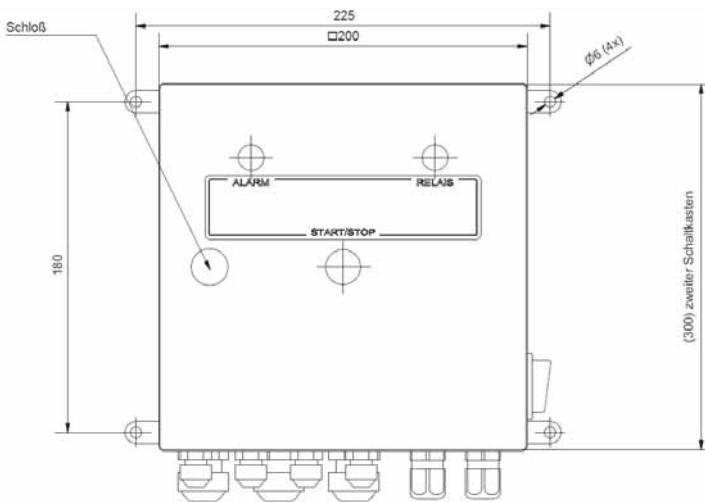
Designation	Control Unit Ex	
Order number control unit 230 V	08341006800	
Order number control unit 20 ... 30V	08341006300	
Max. off-state voltage	11 V DC	
Max. off-state current	typ. 15 mA	
Max. short circuit current	26 mA	
Max. external inductivity	EEx ia: 2 mH EEx ib: 46 mH	
Max. external capacity	EEx ia: 581 mH EEx ib: 2500 mH	
Control signal	NAMUR EN 60947-5-7	
Order Numbers	8100-6800/6200	8100-6300
Relay output	2 potential-free changers	2 potential-free changers
Contact capacity	250V AC / 5A / 100 VA 100V DC / 2A / 100W	-
Transistor output	-	2 x PNP
Output current	-	100 mA
Operating temperature	- 10 °C ... + 50	- 10 °C ... + 50
Protection class housing	IP 30	P 30
Protection class terminal	IP 20	IP 20
Conformity certification	Ex-93.C.2131 / TÜV 97 ATEX 1169	Ex-93.C.2075 X / TÜV 97 ATEX 1168



CONTROL UNIT 10FOLD

The tenfold control unit provides 10 inputs and can be operated with all sensors of RE/SP/AR series. The voltage supply is realised via 24V direct voltage or system voltage. The device is available in three designs. The version with reverting conductor allows the complete control of 3-phase motors. The control unit evaluates the signals of the connected sensors (max. 10). For instance it interrupts a conveyor belt or changes its' running direction. The current state is indicated by two signal lights.

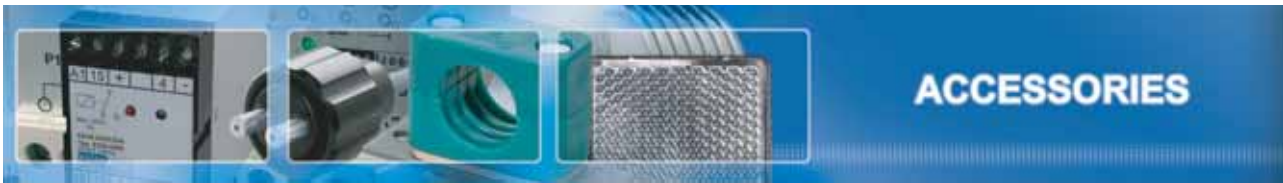
Dimensions



all data in mm

Technical data

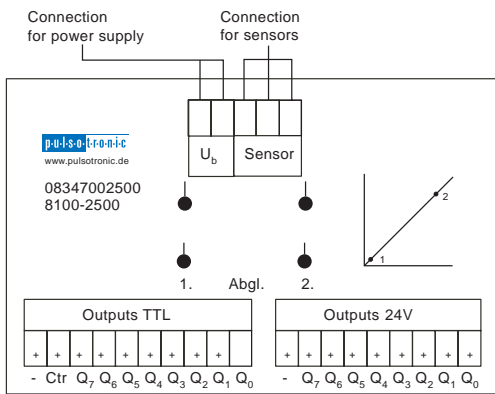
	Control unit 10fold standard	Control unit 10fold for top hat rail	Control unit 10fold with reverting conductor
Article number	08349005000	08349005001	08349005002
Reverting conductor			3-phase 380V AC, 9A
Protection class	IP54	IP20	IP65
Supply voltage	110V AC ... 250V AC; 50-60Hz resp. 24V DC		
Sensor supply	15V DC, max. 120mA (overload and short circuit protected)		
Transistor output	1 x PNP, 20mA, open collector (overload and short circuit protected)		
Relay output	1 x potential-free changer, max. 250V AC, 5A		
Pulse duration	1 ... 60s		
Storage temperature	-10°C ... +60°C		
Operating temperature	-10°C ... +50°C		



A/D CONVERTER 8 BIT

The digital output 24V allows the control of a PLC. The TTL output allows the user to connect the converter to a pc. Due to the 8-Bit input the measuring section is disintegrated into 256 single points which results in a resolution of max. 10 im/bit in dependence to sensor type. The operating voltage for the module is at 18-30 V DC. The module can be connected directly to a PLC. The connections are made as screw terminals. All outputs are short circuit protected and the operating voltage is protected against reverse polarity.

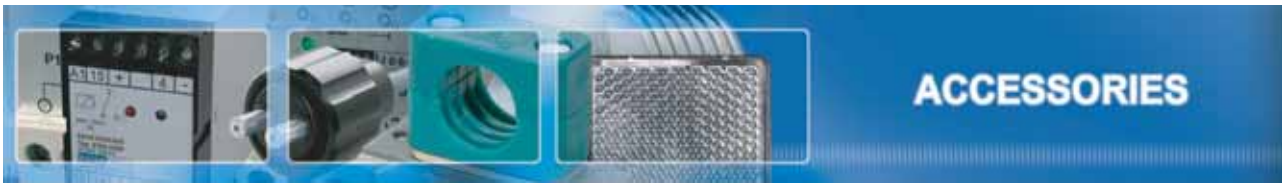
Dimensions



all data in mm

Technical data

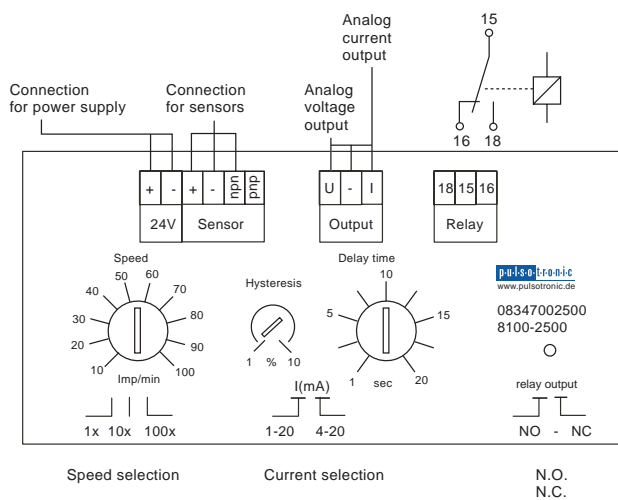
Designation	A/D converter 8bit 24V
Order number	08347002500
Operating voltage U_b	18 V ... 30 V DC
Input	0 A ... 10 V
Operating temperature	0 °C ... 60 °C
Digital output	24 V, 8-bit, open collector PNP
Max.load current	20 mA
Voltage drop	< 3,5 V at 20mA
Switching voltage	30 V
Digital output TTL	$I_{QH} < 2 \text{ mA}$ $I_{QL} < 6 \text{ mA}$ $V_{QH} > 4,5 \text{ V at } 2 \text{ mA}$ $V_{QL} > 0,3 \text{ V at } 6 \text{ mA}$
Housing dimensions	113 x 77 x 50
Protection degree	IP 20



SPEED MONITOR WITH ANALOG OUTPUT

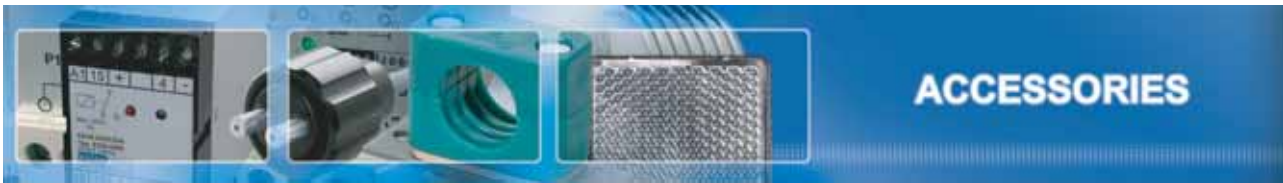
The speed relay monitors the speed of drives, rotary waves or other motion sequences like lift or push movements electronically. Inductive as well as all other 3 wire-DC-proximity switches can be used as encoder. The impulse is generated by through running switch cams, gear-wheels or other signal targets.

Connection



Technical data

Designation	Speed monitor analog 250
Order number	08347002800
Operating voltage U_b	18 V ... 30 V DC
Inputs	NPN- or PNP-sensor
Outputs	1 V ... 10 V, R_L min 2 kOhm
Analog current	0 ... 20 mA; (4 ... 20 mA) $R_L = 0 ... 500$ Ohm
Power rating	250 V AC / 5 A (Ohmic load)
Output N.O.	activates the relay when the adjusted speed is exceeded
Output N.C.	activates the relay when the adjusted speed is exceeded
Functions	10 ... 100 U/min
via plug 3 selectable functions	100 ... 1000 U/min
speed ranges	1000 ... 10000 U/min
Delay time adjustable	1 ... 10 sec.
Hysteresis adjustable	1 ... 10 %
LED - switching state	common mode with relay
Operating temperature	0 °C ... + 60 °C
Housing dimensions	135 x 77 x 50 mm
Protection degree	IP 20



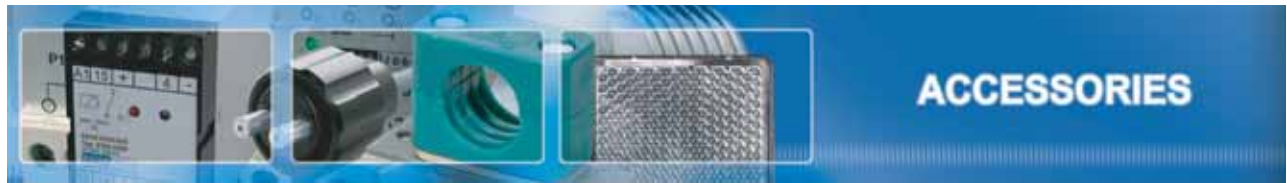
SENSOR TESTER

With the sensor tester Pulsotronic offers a handy device for a quick functional check of a sensor on place. For checking the sensor is not necessary to dismount it from the application. Time and service costs can be minimized.



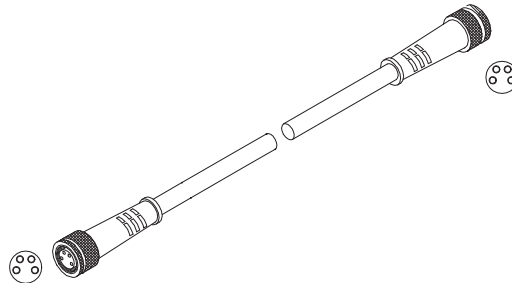
Technical data

Designation	Sensor tester
Order number 230V	08343090400
Operating voltage	18 V DC (2 x 9V battery)
Connection possibilities	4-wire DC
	3-wireDC
	2-wireDC
	Namur

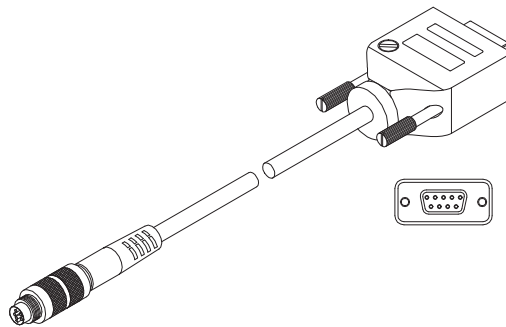


CONNECTION CABLES

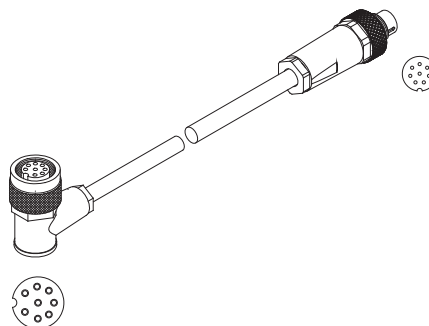
For opto-electronic and laser sensors



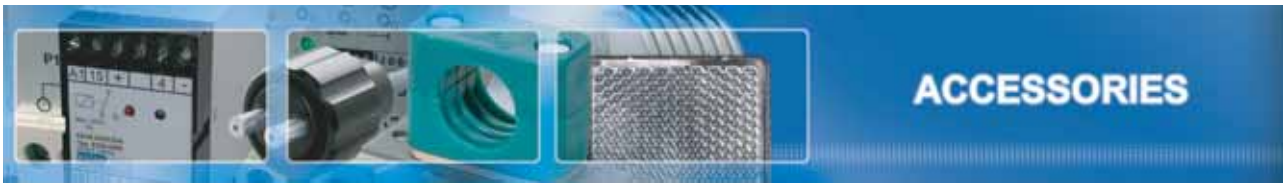
Designation	cab-las 4	cab-las 4/2
Order number	08379450300	08379451300
Cable length	1 m	2 m
Wire diameter	4 x 0,14 mm ²	4 x 0,14 mm ²
Material	PUR	PUR



Designation	cab-las 5/PC
Order number	08379450100
Cable length	2 m
Wire diameter	5 x 0,25 mm ²
Material	PUR

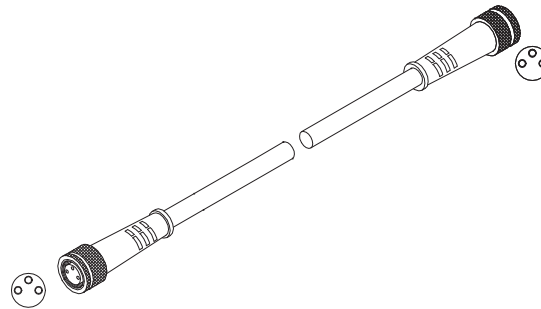


Designation	cab-flb8/702
Order number	44505450900
Cable length	2 m
Wire diameter	4 x 0,14 mm ²
Material	PUR

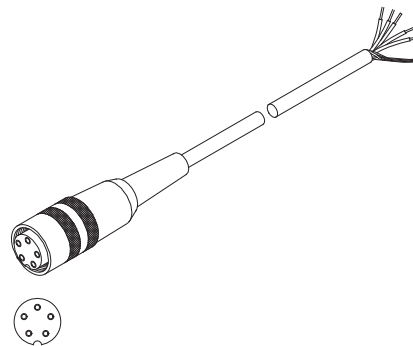


CONNECTION CABLES

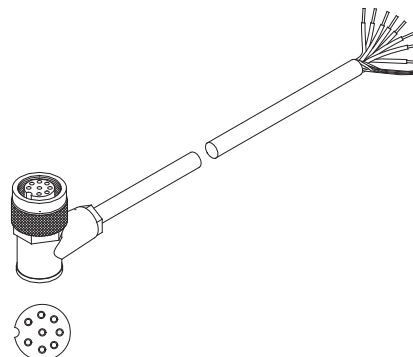
For opto-electronic and laser sensors



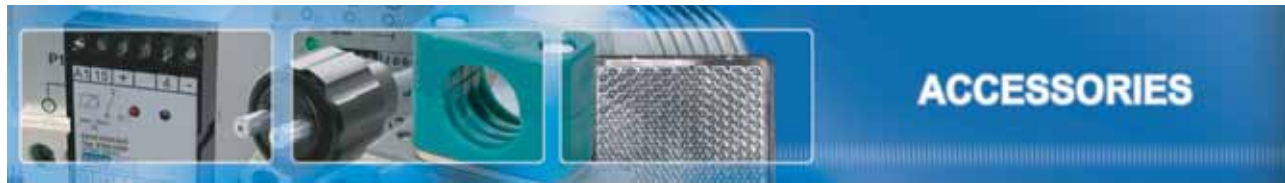
Designation	cab-las 3
Order number	08379450400
Cable length	1 m
Wire diameter	4 x 0,14 mm ²
Material	PUR



Designation	cab-flb5/680
Order number	08379451900
Cable length	2 m
Wire diameter	5 x 0,14 mm ²
Material	PUR

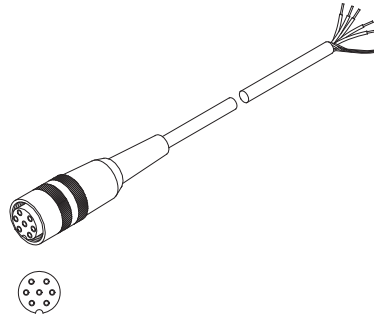


Designation	cab-flb8
Order number	44505452000
Cable length	2 m
Wire diameter	8 x 0,14 mm ²
Material	PUR

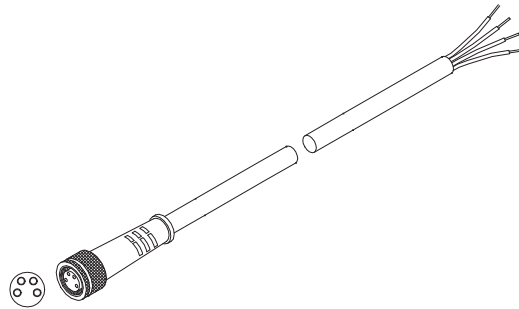


CONNECTION CABLES

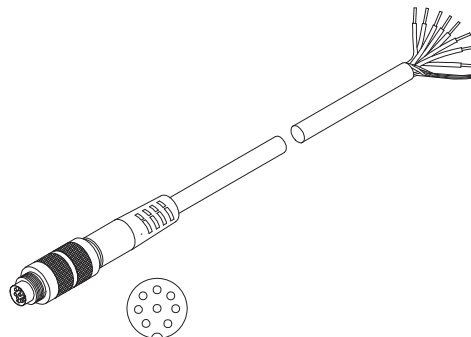
For opto-electronic and laser sensors



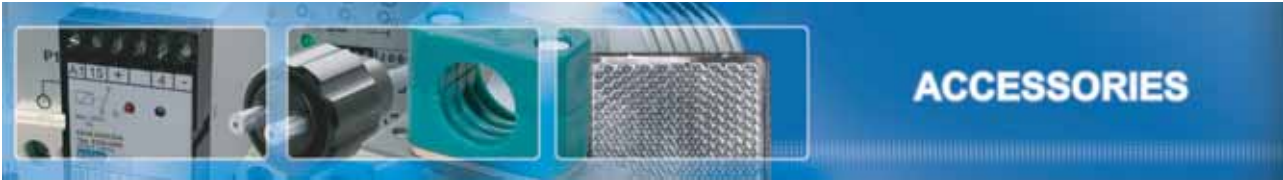
Designation	cab-flb7/680	cab-las-agl7
Order number	44505454300	08379450800
Cable length	2 m	2 m
Wire diameter	4 x 0,14 mm ²	4 x 0,14 mm ²
Material	PUR	PUR



Designation	cab-M8/4-g-2	cab-M8/4-g-5
Order number	44505451100	08379125512
Cable length	2 m	5 m
Wire diameter	4 x 0,14 mm ²	4 x 0,14 mm ²
Material	PUR	PUR

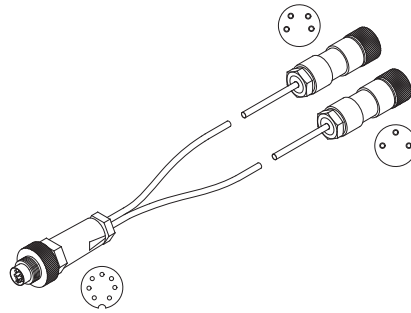


Designation	cab-las 8/SPS
Order number	08379451600
Cable length	2 m
Wire diameter	8 x 0,14 mm ²
Material	PUR

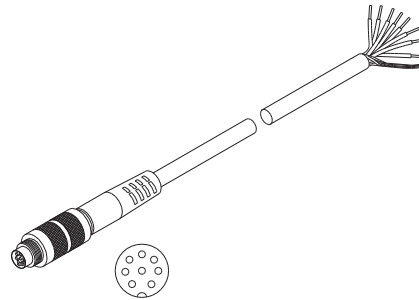


CONNECTION CABLES

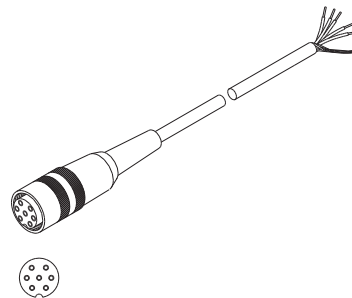
For opto-electronic and laser sensors



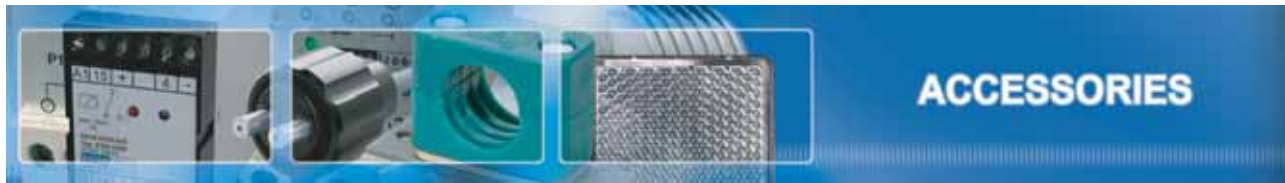
Designation	cab-las-y
Order number	08379452500
Cable length	2 m
Wire diameter	3 x 0,14 mm ² /4 x 0,14 mm ²
Material	PUR



Designation	cab-las8/702-fem
Order number	08379452600
Cable length	2 m
Wire diameter	8 x 0,14 mm ²
Material	PUR

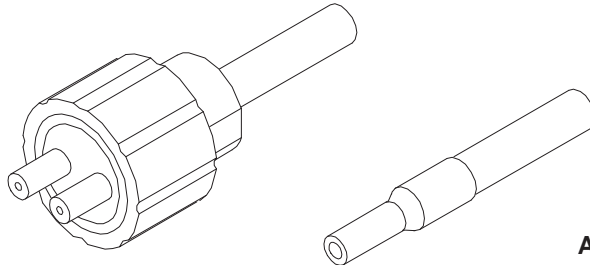


Designation	cab-las 7/680 P1
Order number	08379452300
Cable length	2 m
Wire diameter	7 x 0,14 mm ²
Material	PUR



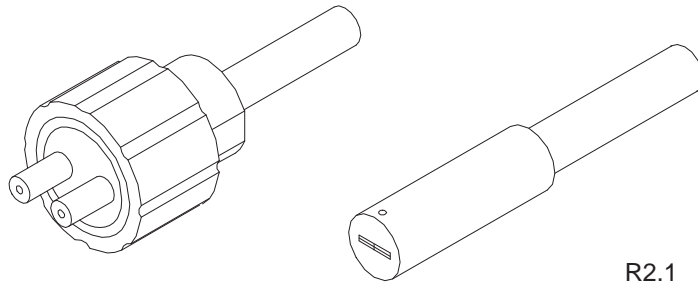
FIBRE OPTICS / LASER

R-S-A2.0-(2.5)-600-22°
 R-S-A2.0-(2.5)-600-67°
 R-S-A1.1-(1.5)-1200-22°
 R-S-A2.0-(2.5)-1200-67°



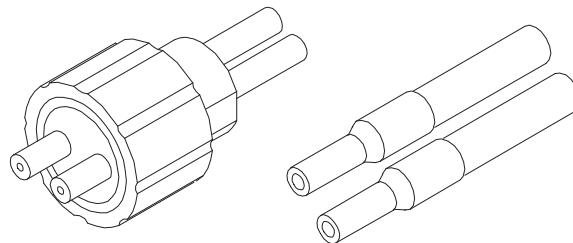
A2.0/A1.1

R-S-R2.1-(6x1)-1200-22°
 R-S-R2.1-(6x1)-1200-22°



R2.1

D-S-A2.0-(2.5)-600-22°

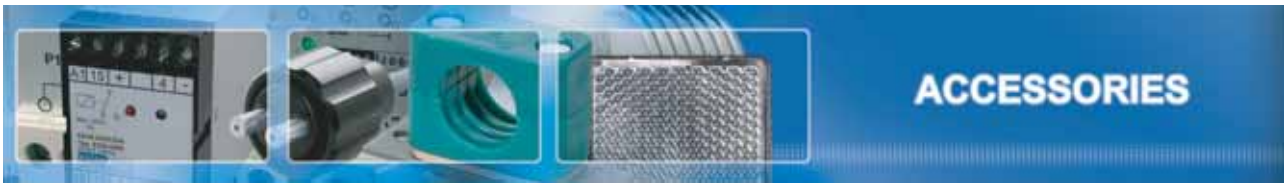


A2.0

Selection chart

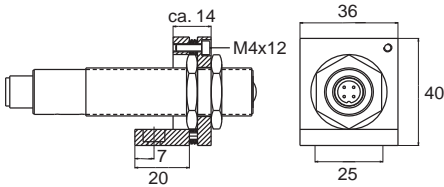
	Sensor head	Fibre diameter	Length	View angle	Order number
Reflex light conductor					
R-S-A2.0-(2.5)-600-22°	A2.0	Ø 2,5	600 mm	22°	08385451400
R-S-A2.0-(2.5)-600-67°	A2.0	Ø 2,5	600 mm	67°	08385451500
R-S-A1.1-(1.5)-1200-67°	A1.1	Ø 1,5	1200 mm	67°	08385452500
R-S-A2.0-(2.5)-1200-67°	A2.0	Ø 2,5	1200 mm	67°	08385452400
R-S-R2.1-(6x1)-1200-22°	R2.1	6 x 1	1200 mm	22°	08385451700
R-S-R2.1-(6x1)-1200-22°	R2.1	6 x 1	1200 mm	22°	08385451800
Through beam conductor					
D-S-A2.0-(2.5)-600-22°	A2.0	Ø 2,5	600 mm	22°	08385452200

All types with silicone-metal-jacket.

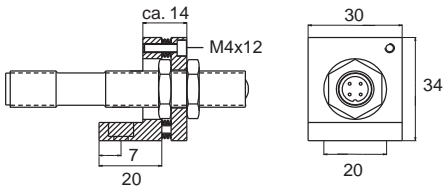


ACCESSORIES

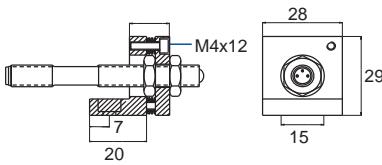
ACCESSORIES LASER SENSORS



Designation	clamp M18 adjustable
Order number	08379480400
Material	Aluminium anodized



Designation	clamp M12 adjustable
Order number	08379480500
Material	Aluminium anodized



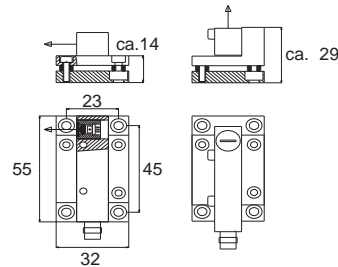
Designation	clamp M8 adjustable
Order number	08379480600
Material	Aluminium anodized

all data in mm

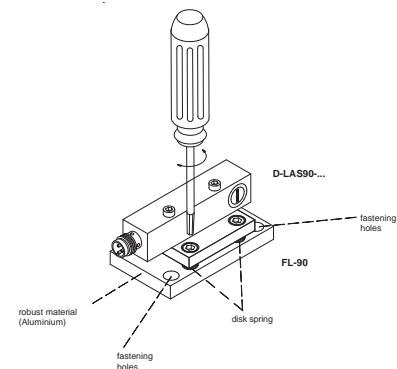
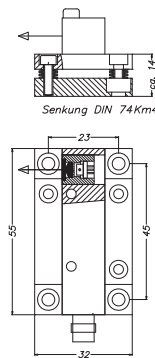


ACCESSORIES

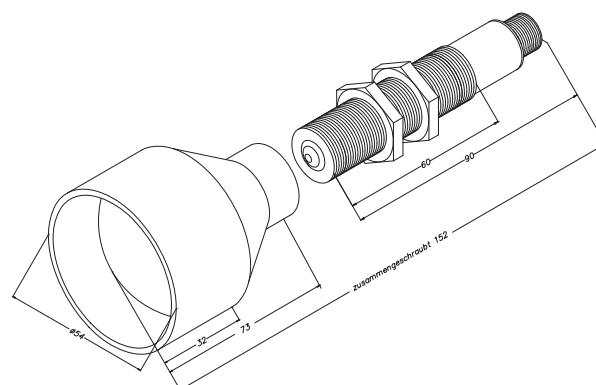
ACCESSORIES LASER SENSORS



Designation	fastening angle universal WFL-90
Order number	08379480700
Material	Aluminium anodized



Designation	fastening angle universal FL-90
Order number	08379481100
Material	Aluminium anodized



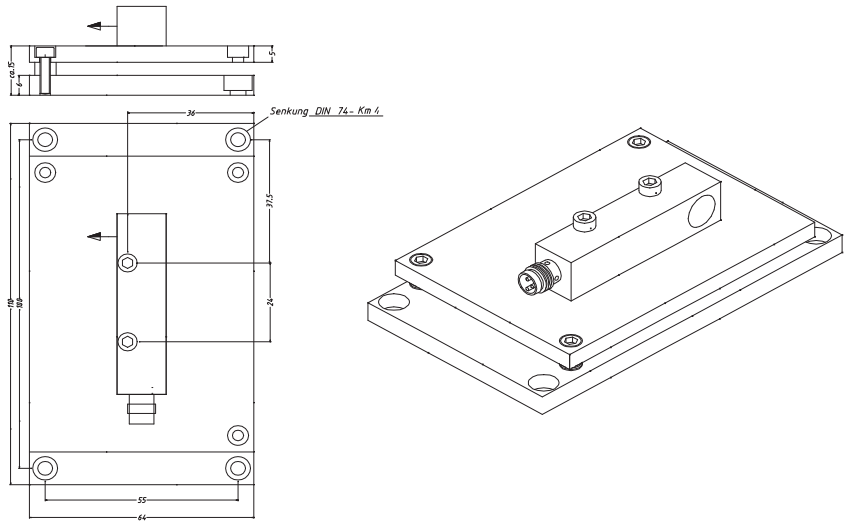
Designation	attachment optics EO-18 for D-LAS-CERO-R
Order number	08369174700
Material	Aluminium anodized

all data in mm

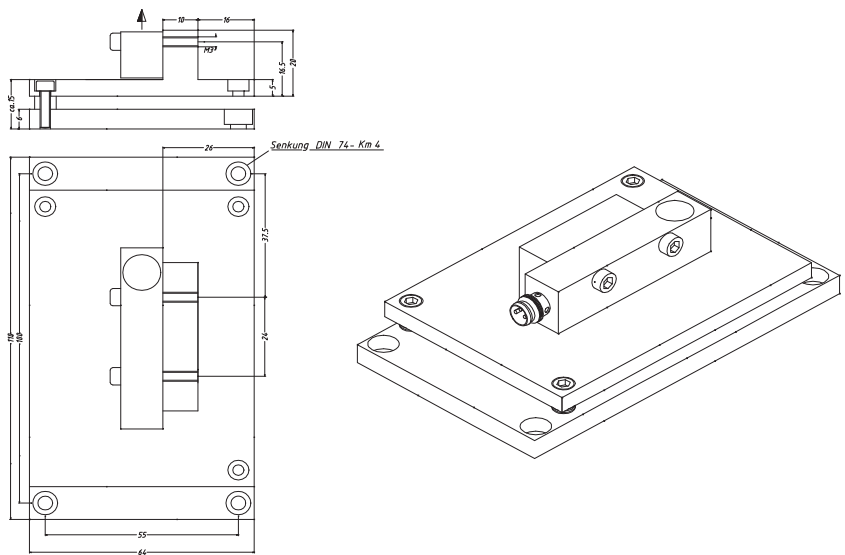


ACCESSORIES

ACCESSORIES LASER SENSORS



Designation	MOUNT-CERO-H
Order number	08345162500
Material	Aluminium anodized
Description	mounting flange for D-LAS-CERO-T (horizontal)



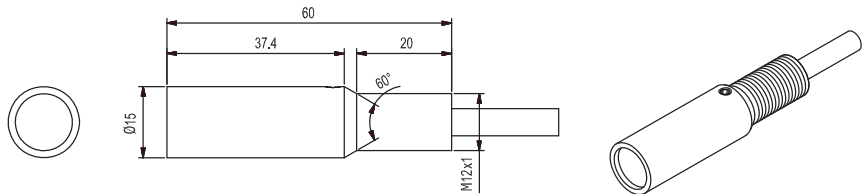
Designation	MOUNT-CERO-V
Order number	08349162400
Material	Aluminium anodized
Description	mounting flange for D-LAS-CERO-T (vertical)

all data in mm

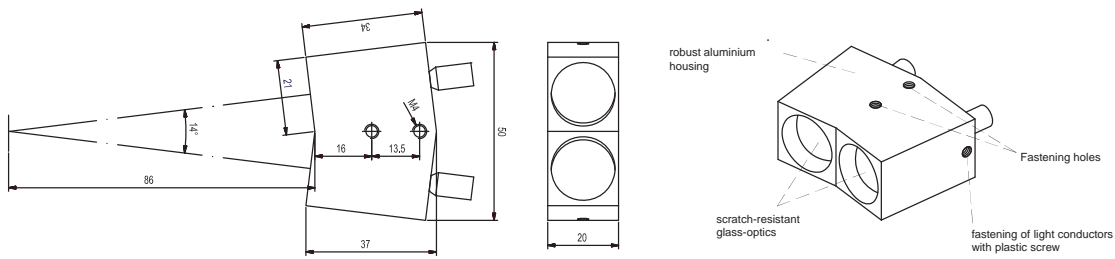


ACCESSORIES

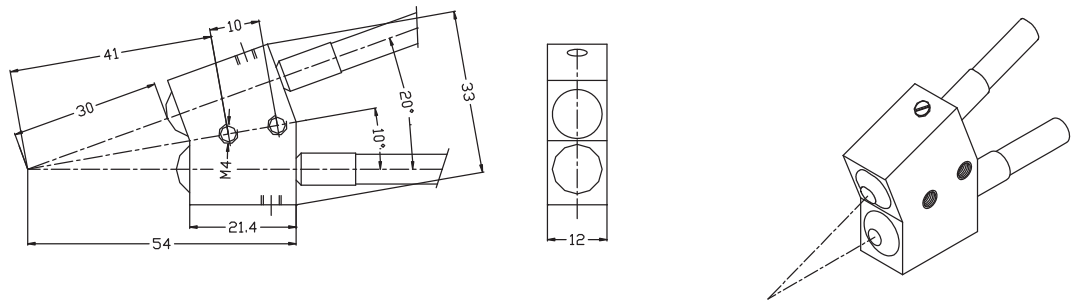
ACCESSORIES LASER SENSORS



Designation	Focus lens KL-3
Order number	08369174750
Material	Aluminium anodized



Designation	reflex optics KL-14
Order number	08369174800
Material	Aluminium anodized



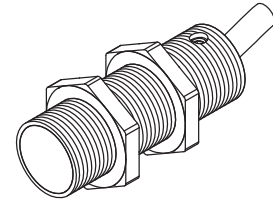
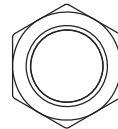
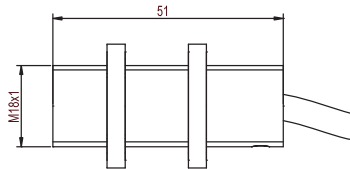
Designation	reflex optics KL-20
Order number	08369174820
Material	Aluminium anodized

all data in mm

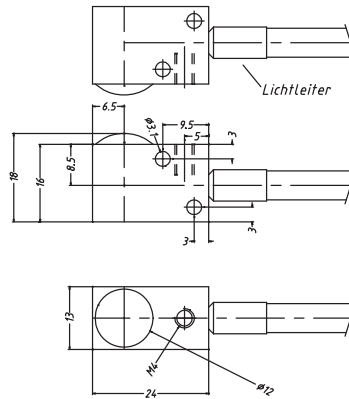
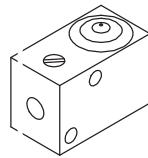


ACCESSORIES

ACCESSORIES LASER SENSORS

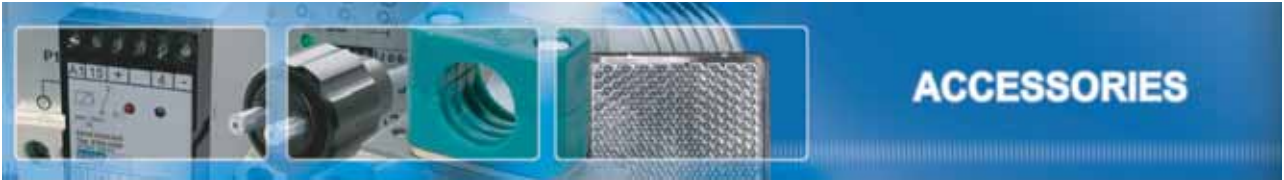


Designation	Focus lens KL-M18
Order number	08369174810
Material	brass, nickel-plated

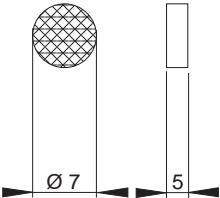


Designation	Reflex optics KL-90
Order number	08385430200
Material	Aluminium anodized

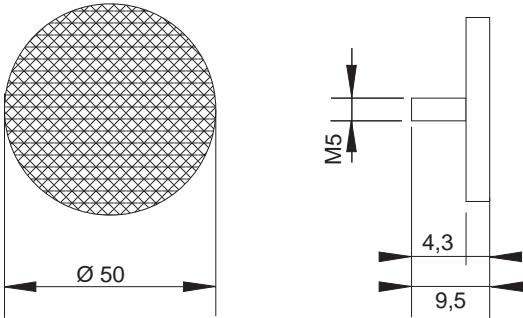
all data in mm



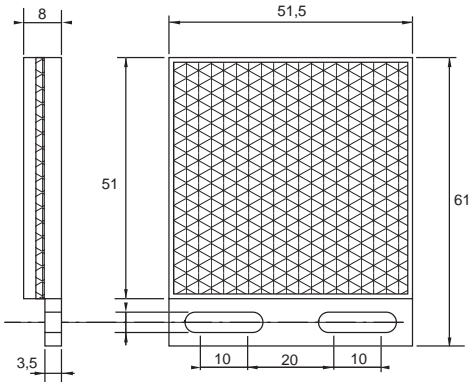
REFLECTORS



Designation	reflector D 7
Order number	08369430100

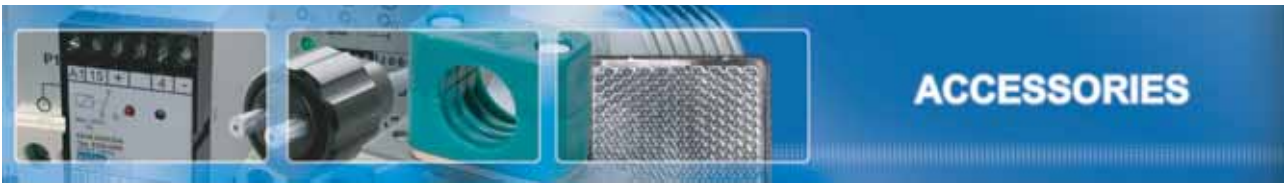


Designation	reflector D 50
Order number	08369430105



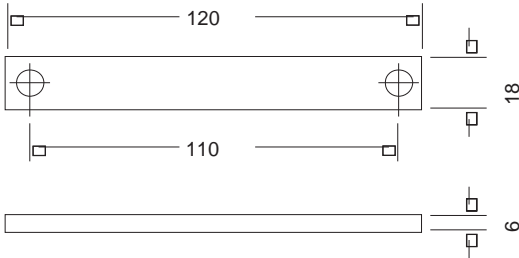
Designation	reflector 47 x 47
Order number	08369430123

all data in mm

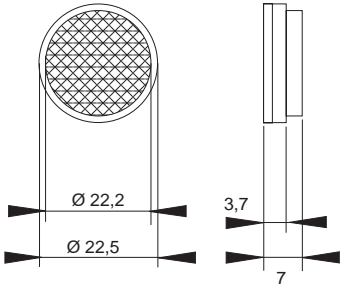


ACCESSORIES

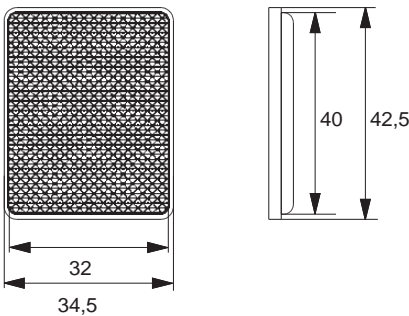
REFLECTORS



Designation	reflector 18 x 120
Order number	08369430182



Designation	reflector D 22
Order number	08369175100



Designation	reflector 42,5 x 34,5
Order number	08369175200

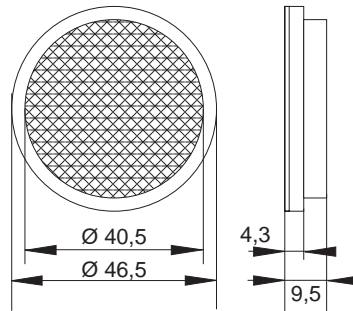
all data in mm

p-u-l-s-o-n-i-c Pulsotronic GmbH & Co. KG	Neue Schichtstraße 14b D-09366 Niederdorf	& +49 (0) 37296 / 930 - 200 ☎ +49 (0) 37296 / 930 - 280	info@pulsotronic.de www.pulsotronic.de	subject to modifications!
---	--	--	---	------------------------------

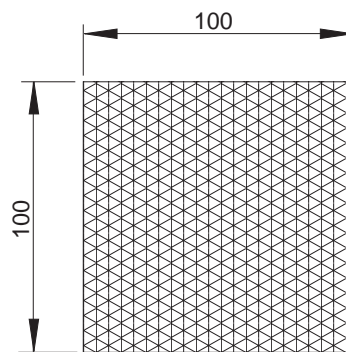


ACCESSORIES

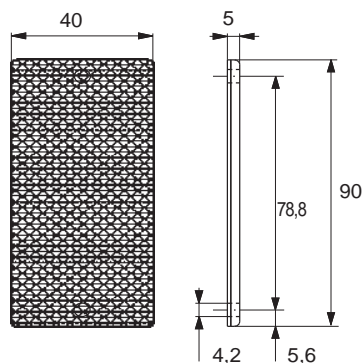
REFLECTORS



Designation	reflector D 40,5
Order number	08369175400



Designation	reflector foil 100 x 100
Order number	08369175600



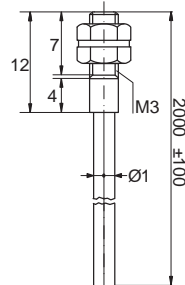
Designation	reflector 90 x 40
Order number	08369175500

all data in mm

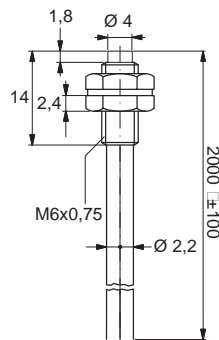


ACCESSORIES

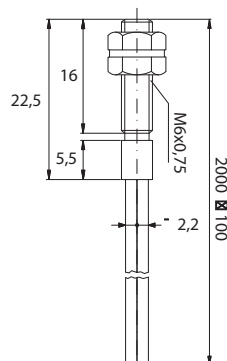
LIGHT CONDUCTORS OPTO / PLASTIC



Designation	LWL-KU-RLT-RLS-M3
Operating mode	reflex light probe, max. operating range 40mm
Order number	08369171000

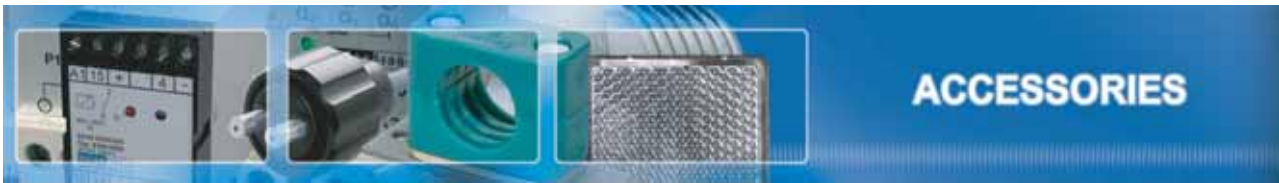


Designation	LWL-KU-RLT-RLS-M6-D4
Operating mode	reflex light probe, max. operating range 120mm
Order number	08369171100

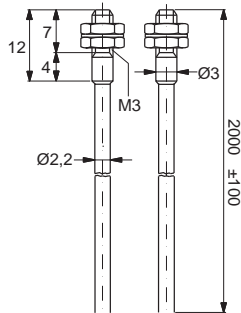


Designation	LWL-KU-RLT-RLS-M6
Operating mode	reflex light probe, max. operating range 120mm
Order number	08369171200

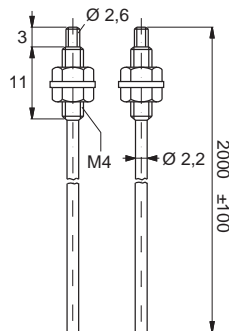
all data in mm



LIGHT CONDUCTORS OPTO / PLASTIC



Designation	LWL-KU-ELS-M3
Operating mode	one-way light barrier, max. operating range 120mm
Order number	08369171500



Designation	LWL-KU-ELS-M4
Operating mode	one-way light barrier, max. operating range 400mm
Order number	08369171600

Technical data

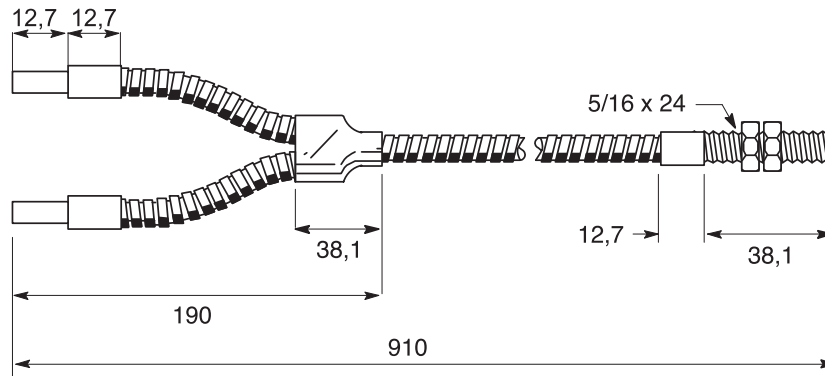
Standard length	2m +/- 0,1m
Light incursion angle	56°
Tensile strain	30 N max.
Bending angle fiber	25mm
Bending angle light outlet	25mm
Optical damping	0,4 dB / m bei 60 nm
Material fiber	PMMA
Material sheathing	polyethylene
Sensor head	brass, nickel-plated
Light outlet tube	stainless steel
Protection class sensor head	IP 67
Operating temperature	-25 °C ... + 55°C

all data in mm

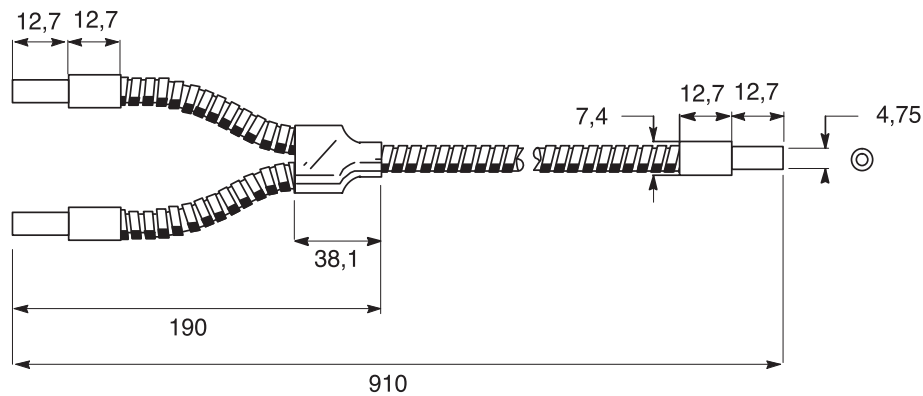


ACCESSORIES

LIGHT CONDUCTORS OPTO / GLASS



Designation	LWL-GL-RLT-RLS-M5-16
Order number	08369176200
Sheathing of light conductor	stainless steel, Ø 6,1 mm
Light outlet (fibre optic)	frontal, Ø 3,1 mm
Housing material outlet	stainless steel
Min. bending radius	19 mm
Max. admissible temperature	260 °C
Range	paper white 30 mm reflector 700 mm



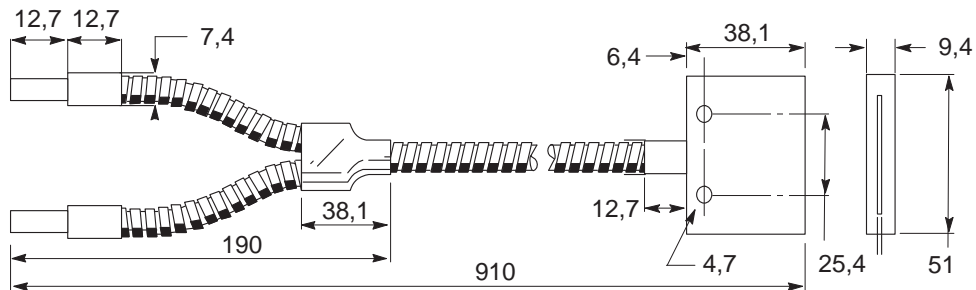
Designation	LWL-GL-RLT-RLS-D4,75
Order number	08385176400
Sheathing of light conductor	stainless steel, Ø 6,1 mm
Light outlet (fibre optic)	frontal, Ø 3,1 mm
Housing material outlet	stainless steel
Min. bending radius	19 mm
Max. admissible temperature	260 °C
Range	paper white 30 mm reflector 700 mm

all data in mm

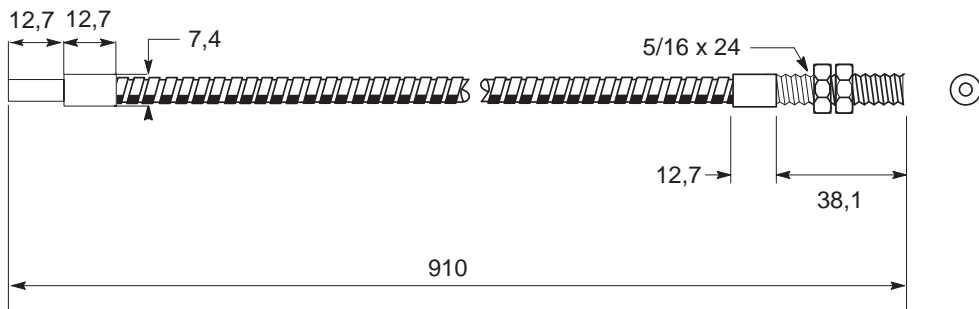


ACCESSORIES

LIGHT CONDUCTORS OPTO / GLASS

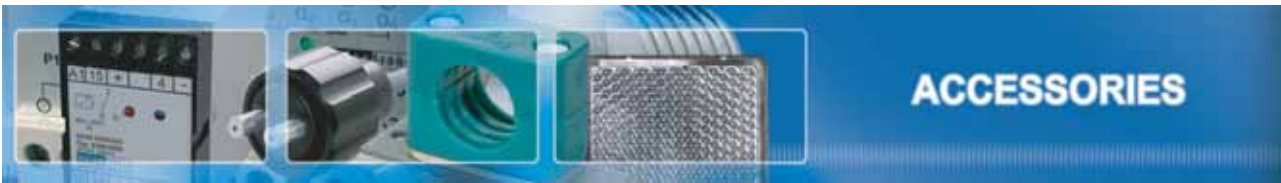


Designation	LWL-GL-RLT-RLS-9,5x51
Order number	08385176800
Sheathing of light conductor	stainless steel, Ø 6,1 mm
Light outlet (fibre optic)	frontal, 38,1 x 0,25 mm
Housing material outlet	Aluminium
Min. bending radius	19 mm
Max. admissible temperature	260 °C
Range	paper white 30 mm reflector 700 mm

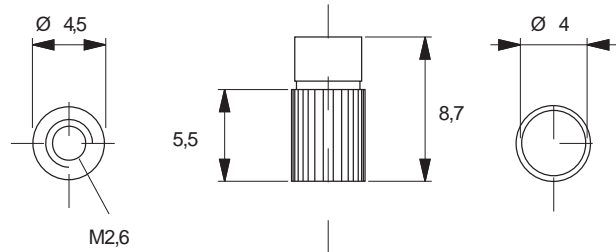


Designation	LWL-GL-ELS-M5-16
Order number	08365178100
Sheathing of light conductor	stainless steel, Ø 6,1 mm
Light outlet (fibre optic)	frontal, Ø 3,1
Housing material outlet	brass
Min. bending radius	19 mm
Max. admissible temperature	260 °C
Range	typ. 300 mm

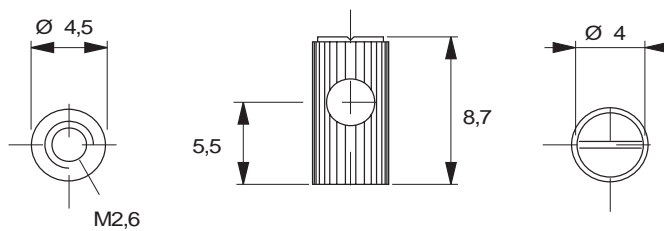
all data in mm



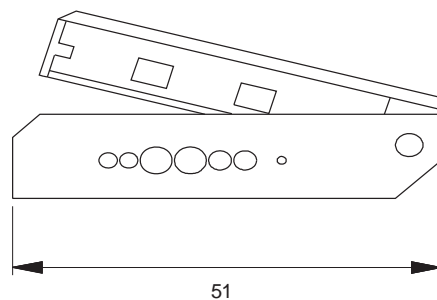
ACCESSORIES OPTO



Designation	Auxiliary lens axial for LWL-KU-ELS-M4
Order number	08369171900
Max. operating range	3000 mm



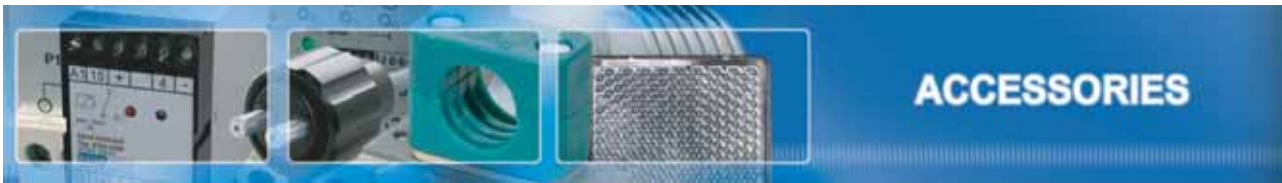
Designation	Auxiliary lens radial for LWL-KU-ELS-M4
Order number	08369172000
Max. operating range	500 mm



Designation	cutting tool LWL-KU
Order number	08369174900

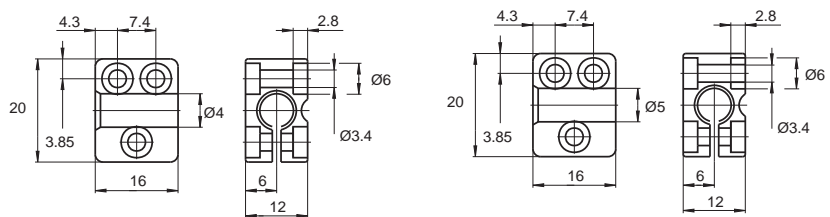
all data in mm

 Pulsotronic GmbH & Co. KG	Neue Schichtstraße 14b D-09366 Niederdorf	& +49 (0) 37296 / 930 - 200 ☎ +49 (0) 37296 / 930 - 280	info@pulsotronic.de www.pulsotronic.de	subject to modifications!
-------------------------------	--	--	---	------------------------------

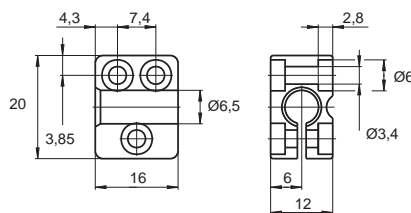


SENSOR CLAMPS

Using sensor clamps it is no longer necessary to spend much time on adjusting sensors or light barriers. In contrast to common clamps made of two halves our sensor clamps consist of one single component. Thus the holders are fixed and do not change position when the sensor is exchanged. Only the clamping screw must be loosened and fixed after changing the sensor. These holders are equipped with a fix-stop. After the first adjustment, which is realised via the long holes of the holders, there is no need of extensive adjustment when the sensor is changed.



Designation	clamp M4	clamp M5
Order number	08349483700	08349483600
Material	PA 6	PA 6
Screw	DIN 912, M3 galvanized	DIN 912, M3 galvanized
Nut	DIN 934, M3 galvanized	DIN 934, M3 galvanized



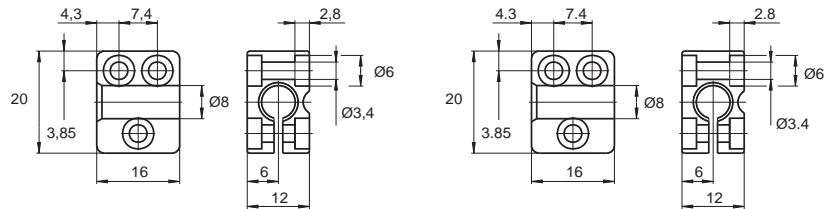
Designation	clamp D 6,5
Order number	08349483500
Material	PA 6
Screw	DIN 912, M3 galvanized
Nut	DIN 934, M3 galvanized

all data in mm

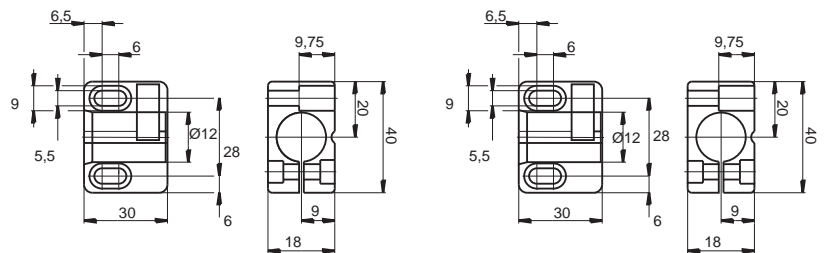


ACCESSORIES

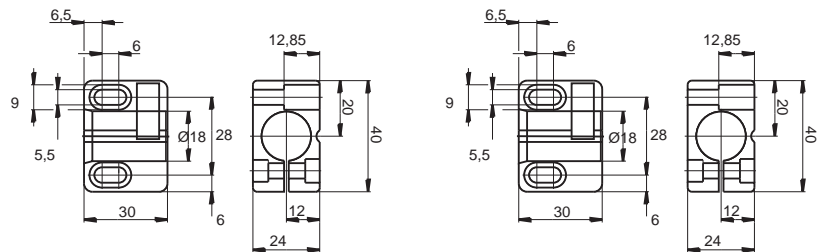
SENSOR CLAMPS



Designation	clamp M8 flush	clamp M8 non flush
Order number	08349483400	08349483300
Material	PA 6	PA 6
Screw	DIN 912, M3 galvanized	DIN 912, M3 galvanized
Nut	DIN 934, M3 galvanized	DIN 934, M3 galvanized

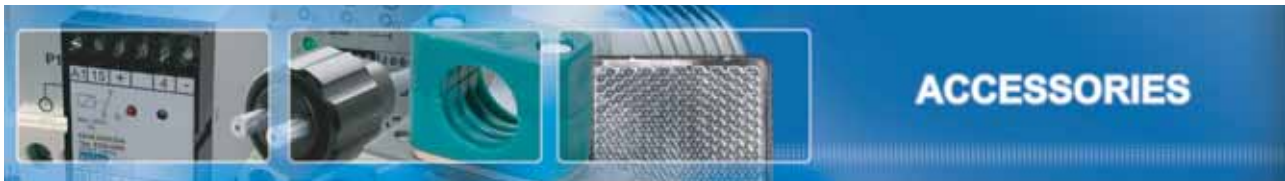


Designation	clamp M12 non flush	clamp M12 flush
Order number	08349482600	08349482500
Material	PA 6	PA 6
Screw	DIN 912, M5 galvanized	DIN 912, M5 galvanized
Nut	DIN 934, M5 galvanized	DIN 934, M5 galvanized



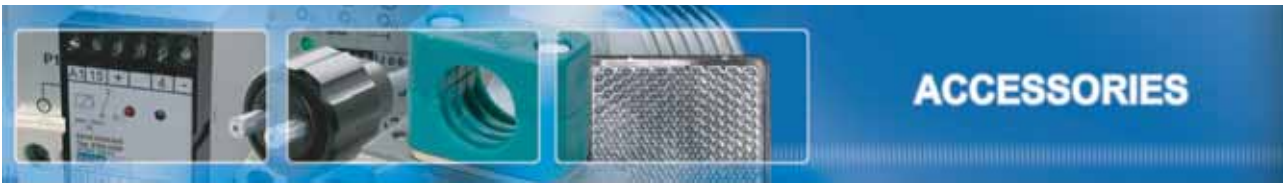
Designation	Schelle M18 flush	Schelle M18 non flush
Order number	08349482000	08349481900
Material	PA 6	PA 6
Screw	DIN 912, M5 galvanized	DIN 912, M5 galvanized
Nut	DIN 934, M5 galvanized	DIN 934, M5 galvanized

all data in mm



PRODUCT OVERVIEW

Product group	Designation	Article number	Matchcode	Page
D70 Accessories	8-BIT A/D Converter	08347002500	8100-2500	8
D70 Accessories	Attachment optics EO-18 for D-LAS-CERO-R	08369174700	9517-4700	17
D70 Accessories	CAB-AGL7	08379450800	9545-0800	13
D70 Accessories	CAB-FLB-5/680	08379451900	9545-1900	12
D70 Accessories	CAB-FLB7/680-F2	44505454300		13
D70 Accessories	CAB-FLB8	44505452000	9545-2000	12
D70 Accessories	CAB-FLB8/702	44505450900	9545-0900	11
D70 Accessories	CAB-LAS 4/2	08379451300	9545-1300	11
D70 Accessories	CAB-LAS3	08379450400	9545-0400	12
D70 Accessories	CAB-LAS4	08379450300	9545-0300	11
D70 Accessories	CAB-LAS5/PC	08379450100	9545-0100	11
D70 Accessories	CAB-LAS7/680-P1	08379452300	9545-2300	14
D70 Accessories	CAB-LAS8/702fem	08379452600	9545-2600	14
D70 Accessories	CAB-LAS8/SPS	08379451600	9545-1600	13
D70 Accessories	CAB-LAS-Y-2m	08379452500	9545-2500	14
D70 Accessories	CAB-M8/4-g-2	44505451100	9545-1100	13
D70 Accessories	CAB-M8/4-g-5	08379125512	9512-5512	13
D70 Accessories	Clamp D6,5 NB	08349483500	9548-3500	30
D70 Accessories	Clamp M12 adjustable	08379480500	9548-0500	29
D70 Accessories	Clamp M12 BU	08349482600	9548-2600	29
D70 Accessories	Clamp M12 NB	08349482500	9548-2500	16
D70 Accessories	Clamp M18 adjustable	08379480400	9548-0400	29
D70 Accessories	Clamp M18 BU	08349482000	9548-2000	29
D70 Accessories	Clamp M18 NB	08349481900	9548-1900	16
D70 Accessories	Clamp M4 NB	08349483700	9548-3700	30
D70 Accessories	Clamp M5 NB	08349483600	9548-3600	30
D70 Accessories	Clamp M8 BU	08349483400	9548-3400	29
D70 Accessories	Clamp M8 NB	08349483300	9548-3300	29
D70 Accessories	Clamp M8 adjustable	08379480600	9548-0600	16
A50 Control units	Control unit for 4 pick-up sensors	08319060200		5
A50 Control units	Control unit for flat detectors AR/RE/SP (10fold)	08349005002		7
A50 Control units	Control unit for flat detectors AR/RE/SP (10fold)	08349005000		7
C50 Control units	Control unit for flat detectors AR/RE/SP (10fold)	08349005001		7
C50 Control units	Control unit for pick-up sensors 110V	08349000700	8300-0700	4
C50 Control units	Control unit for pick-up sensors 230V	08347000300	8300-0300	4
A50 Control units	Control unit for ring sensors 115VAC; 24VDC	08349005013		3
A50 Control units	Control unit for ring sensors 230VAC; 24VDC	08349005011		3
C50 Control units	Control unit NAMUR EX 20...30V	08341006300	8100-6300	6
C50 Control units	Control unit NAMUR EX 230VAC	08341006800	8100-6800	6
D70 Accessories	Cutting tool	08369174900	9517-4900	28
D70 Accessories	D-S-A2.0-(2.5)-600-22°	08385452200	9545-2200	15



PRODUCT OVERVIEW

Product group	Designation	Article number	Matchcode	Page
D70 Accessories	Fastening flange universal FL-90	08379481100	9548-1100	17
D70 Accessories	Fastening flange universal WFL-90	08379480700	9548-0700	17
D70 Accessories	KL-14 reflex optics	08369174800		19
D70 Accessories	KL-20 reflex optics	08369174820		19
D70 Accessories	KL-3 focus lens	08369174750	9517-4750	19
D70 Accessories	KL-90 reflex optics	08385430200	9543-0200	20
D70 Accessories	KL-M18 focus lens	08369174810		20
D70 Accessories	LWL-GL-ELS-M5/16	08365178100	9517-8100	27
D70 Accessories	LWL-GL-RLT-RLS-9,5x51	08385176800	9517-6800	27
D70 Accessories	LWL-GL-RLT-RLS-D4,75	08385176400	9517-6400	26
D70 Accessories	LWL-GL-RLT-RLS-M5/16	08369176200	9517-6200	26
D70 Accessories	LWL-KU-ELS-M3	08369171500	9517-1500	25
D70 Accessories	LWL-KU-ELS-M4	08369171600	9517-1600	25
D70 Accessories	LWL-KU-RLT-RLS-M3	08369171000	9517-1000	24
D70 Accessories	LWL-KU-RLT-RLS-M6	08369171200	9517-1200	24
D70 Accessories	LWL-KU-RLT-RLS-M6-D4	08369171100	9517-1100	24
D70 Accessories	Mount-Cero-H	08345162500	9516-2500	18
D70 Accessories	Mount-Cero-V	08349162400	9516-2400	18
D70 Accessories	Reflector 18X120MM	08369430182	9543-0182	22
D70 Accessories	Reflector 42,5 x 34,5 mm	08369175200	9517-5200	22
D70 Accessories	Reflector 47 x 47 mm	08369430123	9543-0123	21
D70 Accessories	Reflector 90x40	08369175500	9517-5500	22
D70 Accessories	Reflector D = 40,5 mm	08369175400	9517-5400	23
D70 Accessories	Reflector D=22mm	08369175100	9517-5100	22
D70 Accessories	Reflector D=50MM	08369430105	9543-0105	21
D70 Accessories	Reflector D=7MM	08369430100	9543-0100	21
D70 Accessories	Reflector foil 100x100	08369175600	9517-5600	23
D70 Accessories	R-S-A1.1-(1.5)-1200-67°	08385452500		15
D70 Accessories	R-S-A2.0-(2.5)-1200-67°	08385452400	9545-2400	15
D70 Accessories	R-S-A2.0-(2.5)-600-22°	08385451400	9545-1400	15
D70 Accessories	R-S-A2.0-(2.5)-600-67°	08385451500	9545-1500	15
D70 Accessories	R-S-R2.1-(6x1)-1200-22°	08385451700	9545-1700	15
D70 Accessories	R-S-R2.1-(6x1)-1200-67°	08385451800	9545-1800	15
D70 Accessories	Sensor tester	08343090400	8309-0400	10
A50 Control units	Speed monitor with analog output	08347002800	8100-2800	9